

UNICA KEY CREMONE



Functions

Reversible cremone handle with key for operating the Giesse mechanisms.

Online data sheet

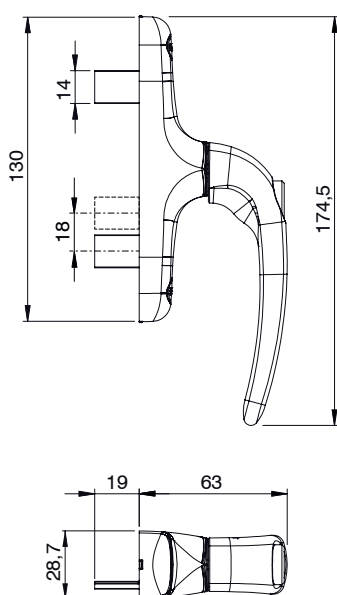


Technical Features

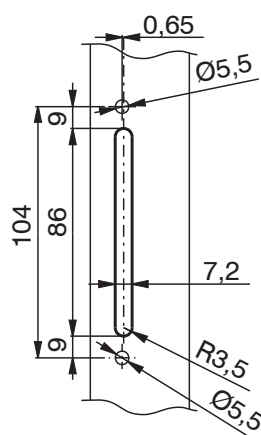
The Unica Key cremone has a fixing C/C distance of 104 mm.
 Supplied right-hand pre-assembled it is easily converted into left-hand.
 The pull handle is lockable with a key in both the closed and open position.

Materials

Handle in painted die-cast aluminium.
 Case in paint-finished die-cast zamak.
 Spring in harmonic steel.
 Stainless steel screws and fixing plate.
 Rotor, racks and sliders in die-cast zamak.



C/C distance machining 104 mm



Item code	Description	Type	C/C distances	Operation	Pull handle 0°	Pull handle 90°	Base Raw	Anodised Elox	Painted	Trend/Gold Brass	Pieces per pack
01163N	UNICA KEY CREMONE	Outward Opening Casement - Shutters	104	Two-way	closed	open	X		X		10