



## UNICA CREMONE FOR JALOUSIE

### Functions

Specific Cremone for the Jalousie system.

Online data sheet

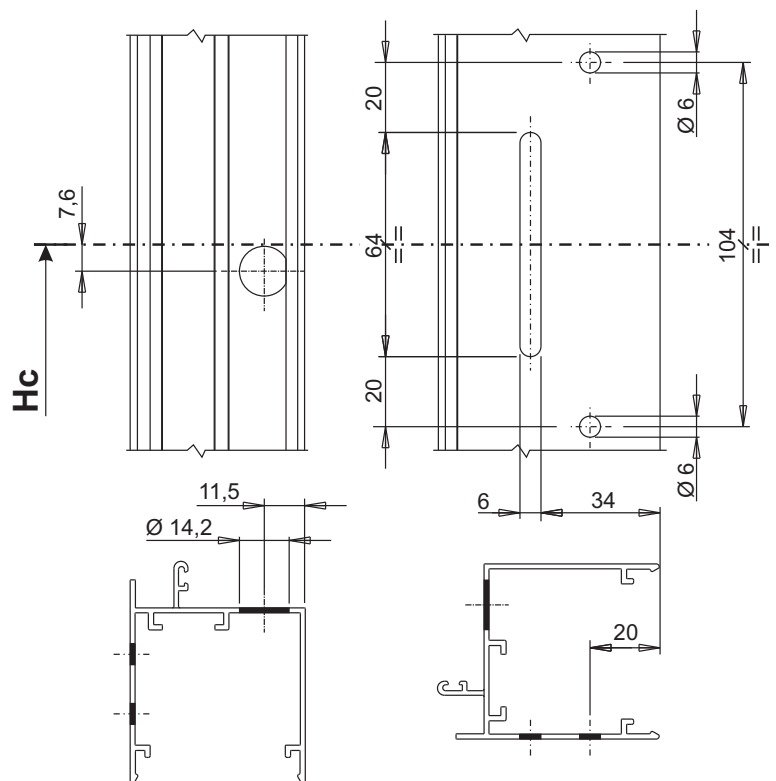
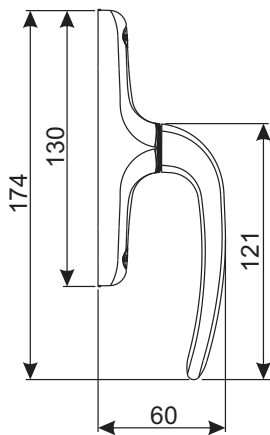


### Technical Features

Controls opening the slats that depending on the position of the pull handle may be in the closed, ventilation or fully open position.

### Materials

Handle in die-cast aluminium  
Case, gear and sliding parts in zinc plated zamak  
Polyamide plate  
Stainless steel fixing screws



Item code	Description	Operation	Base Raw	Anodised Elox	Painted	Trend/Gold Brass	Pieces per pack
01987	UNICA CREMONE FOR JALOUSIE	one-way			X		10