



SECURITY SASH CREMONE

Functions

The Giesse Key Capture cremones are decisive for the operation of the Security Sash.

Online data sheet

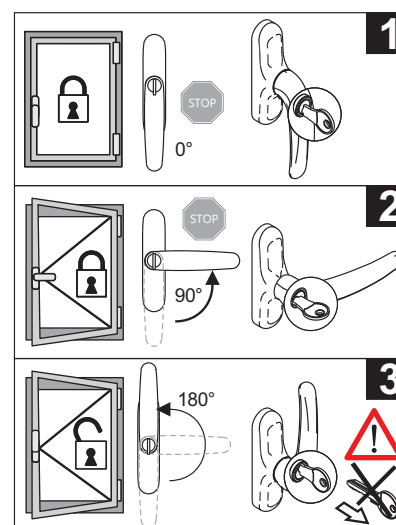
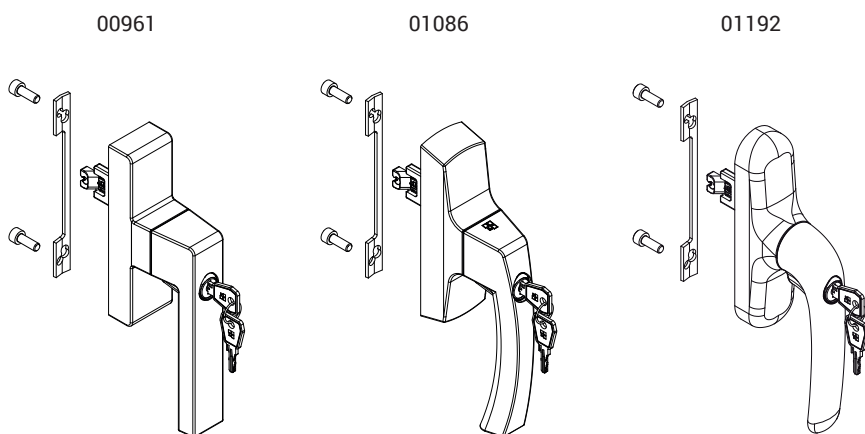


Technical Features

Operation:

- 0° mechanism - closed sash
- 90° mechanism - open sash (limited)
- 180° mechanism - fully open sash

The cylinder has the Giesse Key Capture system.



Item code	Description	PROFILE CROSS - SECTION	C/C distances	Operation	Base Raw	Anodised Elox	Painted	Trend/Gold Brass	Pieces per pack
00961	KORA KEY T/T CREMONE LGC	C001-C002-C003-C004-C005-C006-C007-C008-C009-C010-C012-C013-C014-C015-C016-C017	104 - 92	one-way	X		X	X	5
01086	ASIA KEY CAPTURE LGC CREMONE	C001-C002-C003-C004-C005-C006-C007-C012-C013-C014-C015-C016-C017	104 - 92	one-way	X		X		5
01192	PRIMA KEY CAPTURE LGC CREMONE	C001-C002-C003-C004-C005-C006-C007-C010-C012-C013-C014-C014-C015-C016-C017	104 - 92	one-way	X		X		5