

GRISBI CATCH



Functions

Fastening mechanism of bottom-hung windows for external application, made of extruded aluminium with internal guide of polyamide

Online data sheet



Technical Features

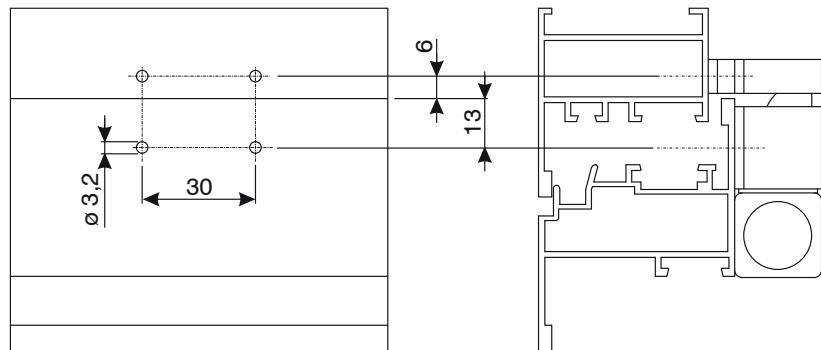
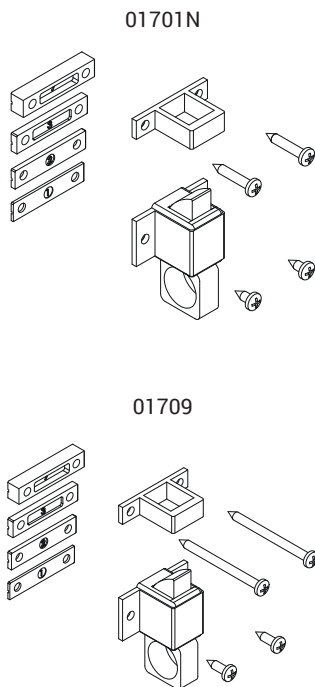
Fast mounting, it can be applied on all types of profile using the 4 polyamide shims alternately or in combination.

The combinations of the shims require using the catch in steps of (mm):
3 - 4 - 5 - 6 - 7 - 8 - 9 - 10 - 11 - 12 - 13

Note: For very thin thickness, it is recommended to decrease the diameter of the hole that receives the self-tapping screw.

Materials

Body, ring and counterplate in extruded aluminium
Shims and internal guide in polyamide
Zinc-nickel plated steel screws



Item code	Description	PROFILE CROSS - SECTION	Base Raw	Anodised Elox	Painted	Trend/Gold Brass	Pieces per pack
01701N	GRISBI CATCH	C001-C002-C003-C004-C005-C006-C007-C008-C009-C012	X	X	X		50
01709	GRISBI CATCH - PVC	C001-C002-C003-C004-C005-C006-C007-C008-C009-C012		X	X		50