

RIVO CATCH

Functions

Fastening mechanism of windows for external application, completely made of polyamide reinforced with fibreglass.

Online data sheet



Technical Features

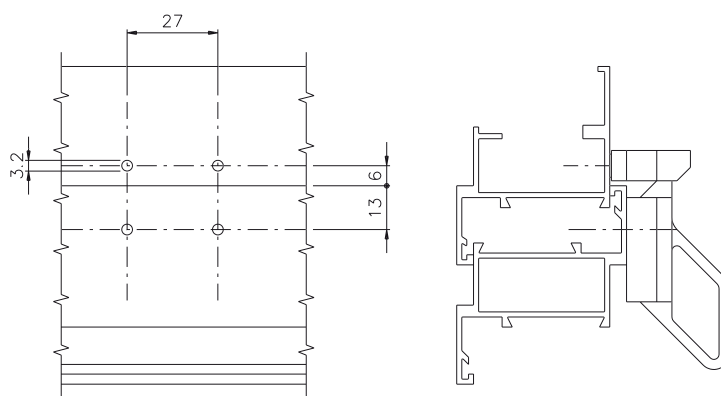
Fast assembly, it can be applied on all types of profile using the 3 polyamide shims alternately or in combination. The combinations of the shims require using the catch in steps of 4.5 - 5.5 - 7 mm.

Materials

Body, drawer, counterplate and shims in polyamide
Zinc-nickel plated steel screws

Parts

4 Self-tapping screws 3.9x16
3 Polyamide shims



Item code	Description	Note	Base Raw	Anodised Elox	Painted	Trend/Gold Brass	Pieces per pack
01711	RIVO CATCH		X				50