

HOLE CENTRING TEMPLATE

Functions

Hole centring template for fixing the rails of the profile set.
For all GS1000 tilt and slide system versions.

Online data sheet

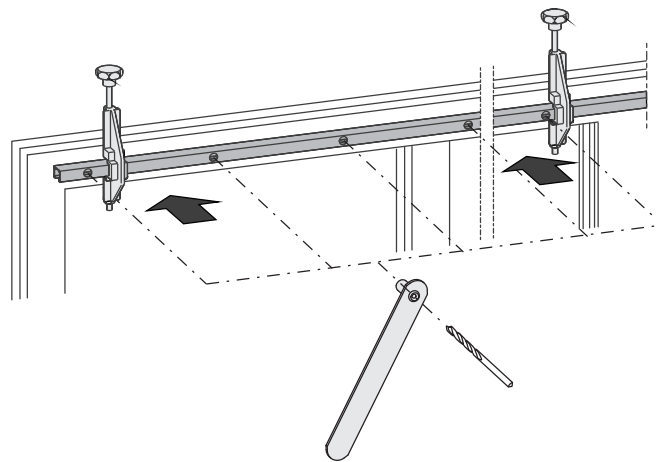


Technical features

In combination with the rail fixing template, it enables keeping the drill bit aligned with the existing holes in the rails, ensuring the rails are correctly secured to the profile.

Materials

Steel template body
Carbonitrided steel tip guide bushing



Item code	Description	Range [mm]	PROFILE CROSS - SECTION	GS1000-ML	GS1000-HL	GS1000-HD 100	GS1000-HD 160	GS1000-HD 200	Base Raw	Anodised Elox	Painted	Trend/Gold Brass	Pieces per pack
09804	HOLE CENTRING TEMPLATE	-	-	X	X	X	X	X	X				1