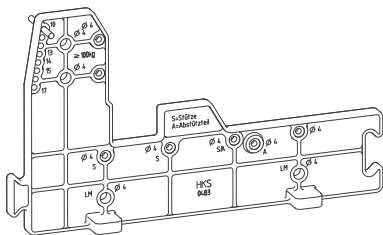


GS1000 PULLEY DRILLING TEMPLATE



Functions

Pulley drilling template for all GS1000 tilt and slide system versions.

Online data sheet



Technical features

This is used for drilling the profile in order to install the pulleys, side reinforcements and bottom guard support.

Reversible for right and left pulley.

Combined with another identical template it also permits the drilling for the double pulleys.

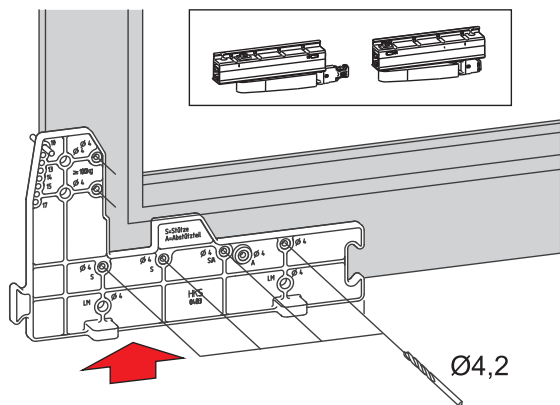
Made of polyamide with carbonitrided steel tip guide bushings.

Materials

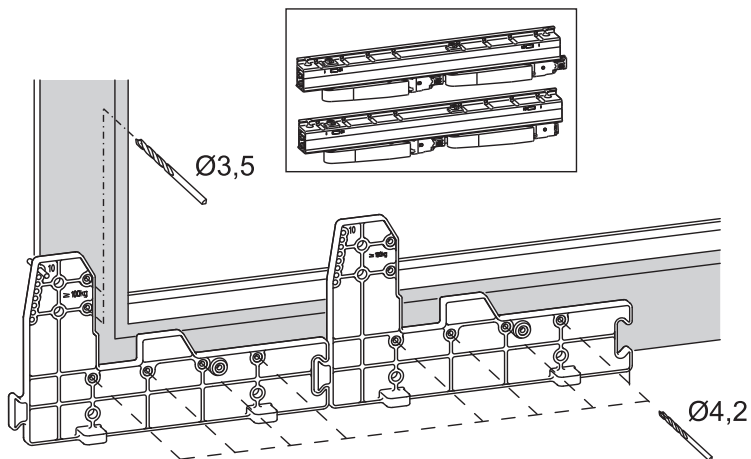
Polyamide template body

Carbonitrided steel tip guide bushings and pins

Application for single pulleys



Application for double pulleys



Item code	Description	Range [mm]	PROFILE CROSS - SECTION	GS1000-ML	GS1000-HL	GS1000-HD 100	GS1000-HD 160	GS1000-HD 200	Base Raw	Anodised Elox	Painted	Trend/Gold Brass	Pieces per pack
09801	PULLEY DRILLING TEMPLATE	-	-	X	X	X	X	X	X				1