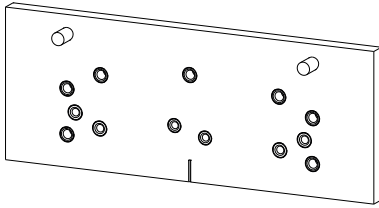


GS1000-HD CREMONE DRILLING TEMPLATE



Functions

Drilling template for the special long-handled cremone for the GS1000-HD tilt and slide system.

Online data sheet



Technical features

Specific template for GS1000-HD it enables machining the profile for installing the special cremone.

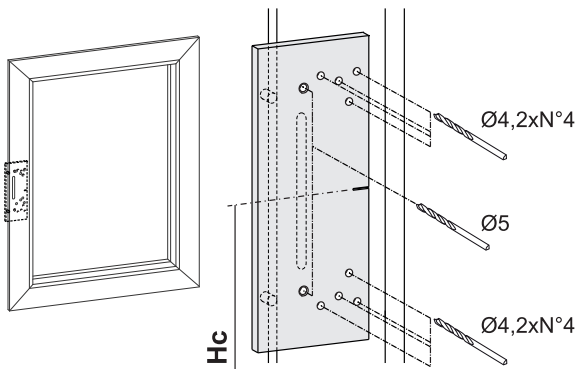
It can also be used for machining the sash profile, necessary for fitting the top guard.

Materials

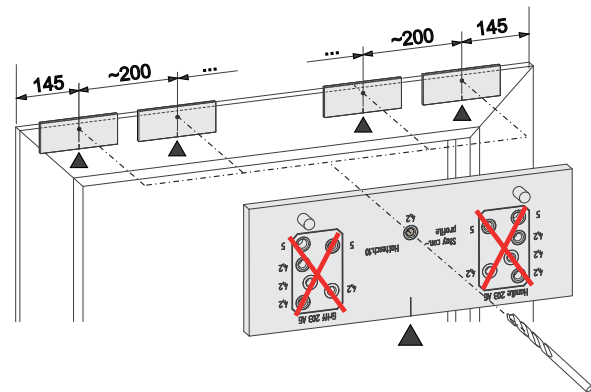
Aluminium template

Carbonitrided steel tip guide bushings

Machining for cremone



Machining for top guard



Item code	Description	Range [mm]	PROFILE CROSS - SECTION	GS1000-ML	GS1000-HL	GS1000-HD 100	GS1000-HD 160	GS1000-HD 200	Base Raw	Anodised Elox	Painted	Trend/Gold Brass	Pieces per pack
09741N	GS1000-HD CREMONE DRILLING TEMPLATE	-	-	-	-	X	X	X	X				1