

PULL DEVICES



Functions

Components for connecting the one-way cremones to the connection rods of the window.

Online data sheet

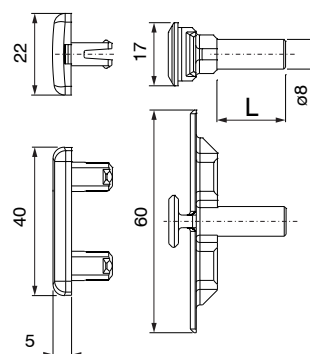
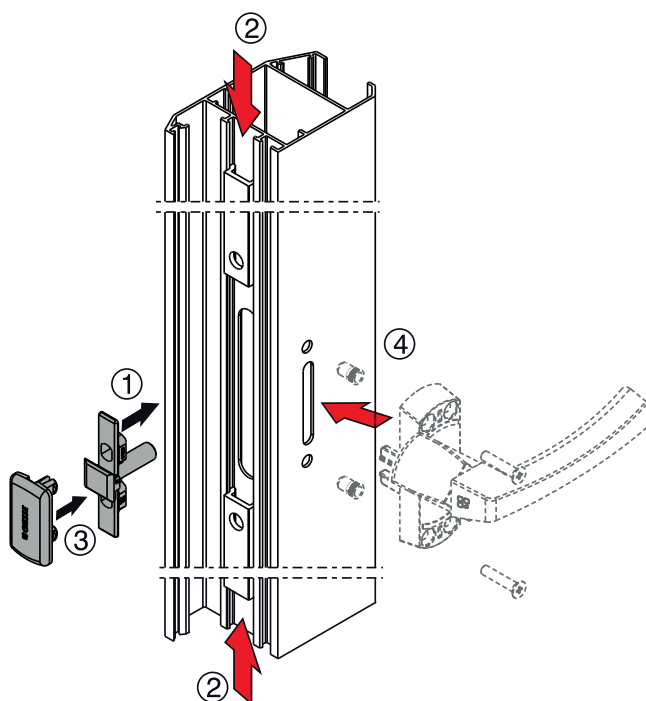


Technical features

It is used to connect the cremones with one-way movement (in pre-assembled or disassembled versions) to the closing rod of an aluminium window. This generally concerns Shutter-type outward or Side Hung openings. The Giesse patented rod pull device has a pin of diameter 8 mm of different lengths depending on the article.

Materials

Driving pin in zamak
Rod joining plug in black polyamide



Item code	Description	Type of Opening	L pin	Rod Type	Base Raw	Anodised Elox	Painted	Trend/Gold Brass	Pieces per pack
04091	ROD PULL DEVICE	External - Shutters	40	Euro Groove	X				20
04097001	ROD PULL DEVICE	External - Shutters	26	Erre	X				20
04098001	ROD PULL DEVICE	External - Shutters	9,5	Euro Groove	X				20
04099001	ROD PULL DEVICE	External - Shutters	18,5	Euro Groove	X				20
04104	ROD PULL DEVICE	External - Shutters	19	Euro Groove	X				20
04105	ROD PULL DEVICE	External - Shutters	28	Euro Groove	X				20

PULL DEVICES



Functions

Components for connecting the one-way cremones to the connection rods of the window.

Online data sheet

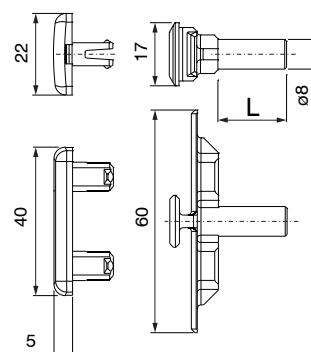
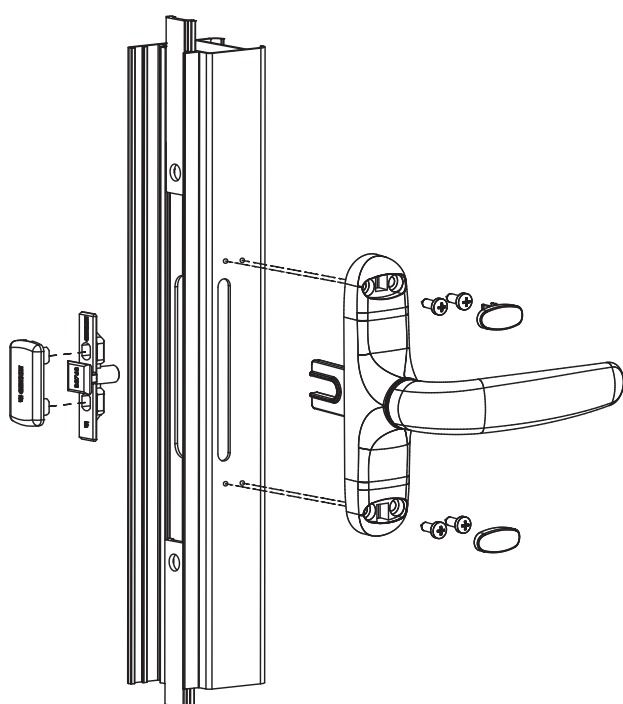


Technical features

It is used to connect the cremones with one-way movement (in pre-assembled or disassembled versions) to the closing rod of an aluminium window. This generally concerns Shutter-type outward or Side Hung openings. The Giesse patented rod pull device has a pin of diameter 8 mm of different lengths depending on the article.

Materials

Driving pin in zamak
Rod joining plug in black polyamide



Item code	Description	Type of Opening	L pin	Rod Type	Base Raw	Anodised Elox	Painted	Trend/Gold Brass	Pieces per pack
04091	ROD PULL DEVICE	External - Shutters	40	Euro Groove	X				20
04097001	ROD PULL DEVICE	External - Shutters	26	Erre	X				20
04098001	ROD PULL DEVICE	External - Shutters	9,5	Euro Groove	X				20
04099001	ROD PULL DEVICE	External - Shutters	18,5	Euro Groove	X				20
04104	ROD PULL DEVICE	External - Shutters	19	Euro Groove	X				20
04105	ROD PULL DEVICE	External - Shutters	28	Euro Groove	X				20