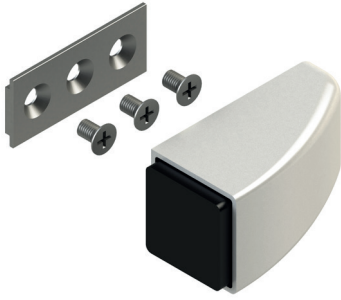


SASH STOP DEVICE



Functions

Device to apply on sliding profiles to stop the sash before it hurts the handle.

Online data sheet



Technical Features

The sash stop device should be positioned on the lower transom. In case of special dimensions, it should be positioned even on the top transom to avoid the collision between the handle and the other sash.

The device is removable and allows the overlap of the sash.

Polyamide body available in white, grey and black.

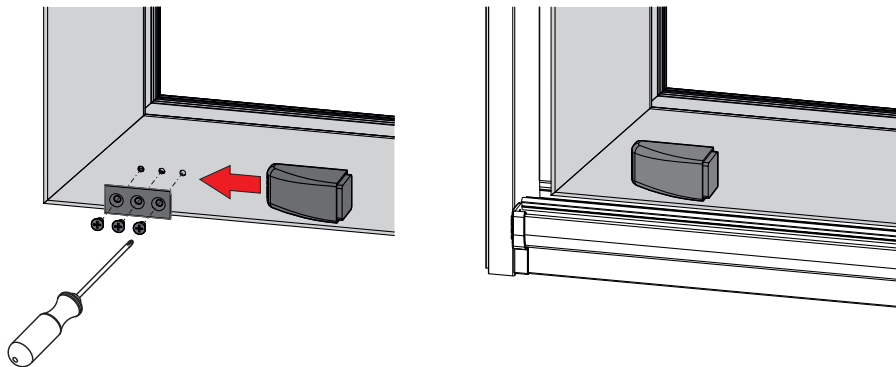
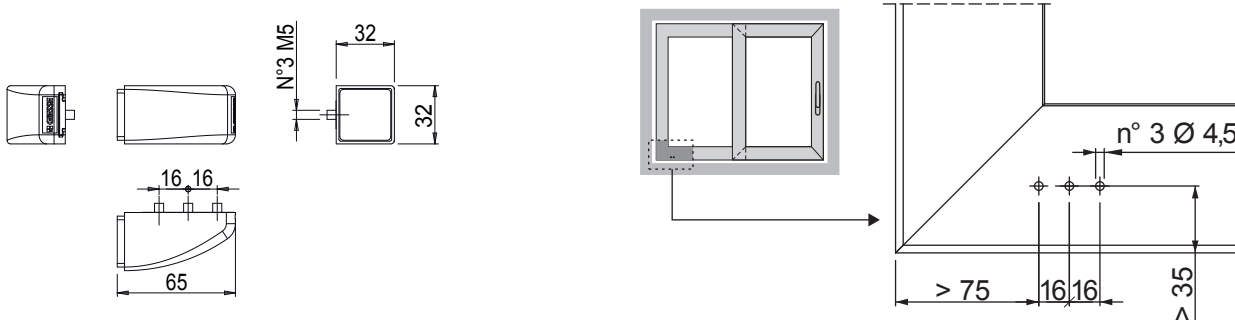
Materials

Polyamide reinforced with fiber glass body

Aluminium plate

Foam rubber pad

Zinc plated steel screws



| Item code | Description | Note | Base Raw | Anodised Elox | Painted | Trend/Gold Brass | Pieces per pack |
|-----------|------------------|------------|----------|---------------|---------|------------------|-----------------|
| 03978 | SASH STOP DEVICE | Reversible | X | | | | 10 |