

TT PROFILE SPACERS



Functions

Telescopic spacers for assembly of DOMINA HP, DOMINA HP COVER and DOMINA CLASSIC hinges in combination with counterplate kit, for fixing to thermal break profiles with outward opening.

Online data sheet



Technical Features

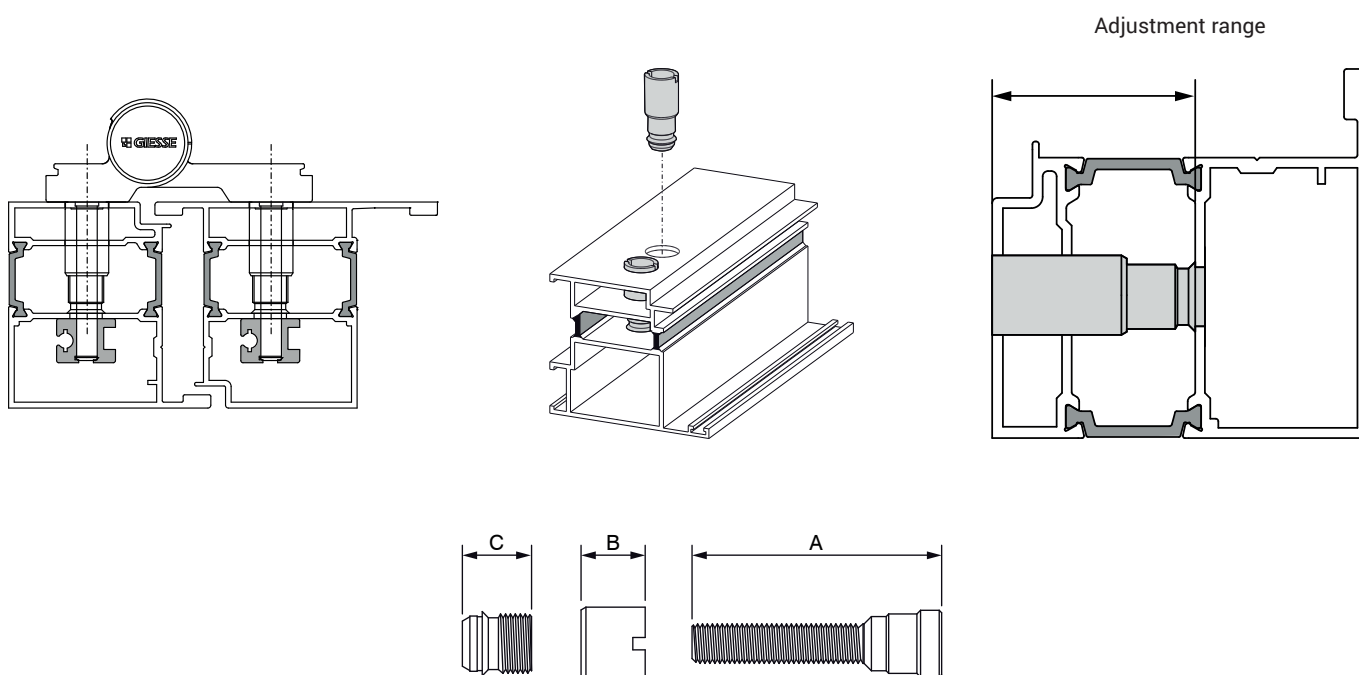
To fit spacers, the holes on the external part of the profile must be enlarged from Ø11 mm to Ø15 mm with the aid of drill bit item 03238.

Each spacer is supplied together with 2 screws of length as specified in the table.

The range comprises four items differing one from another in terms of their adjustment range (see table).

Materials

Bush for spacer, telescopic screw and M8 screw with special head, zinc-coated steel



Item code	Description	Adjustment range	A [mm]	B [mm]	C [mm]	Screws included	Base Raw	Anodised Elox	Painted	Trend/Gold Brass	Pieces per pack
0323901	TELESCOPIC SPACER 13 -18.5 mm	13÷18.5 mm	50	13	14	M8x50	X				20
0324001	TELESCOPIC SPACER 18.5 -29 mm	18.5÷29 mm	60	18,5	29	M8x60	X				20
0324101	TELESCOPIC SPACER 29 -40 mm	29÷40 mm	70	29	40	M8x70	X				20
0324201	TELESCOPIC SPACER 29 -50 mm	29÷50 mm	80	29	50	M8x80	X				20