

ADDITIONAL FASTENING MECHANISM COMPONENTS



Functions

Closing components specially designed to make an additional fastening mechanism, on side-hung windows with 1 or more sashes.

Online data sheet



Technical Features

It makes additional fasteners, both in the sash-frame interface of windows with 1 sash and in the profile cross-section of windows with 2 sashes.

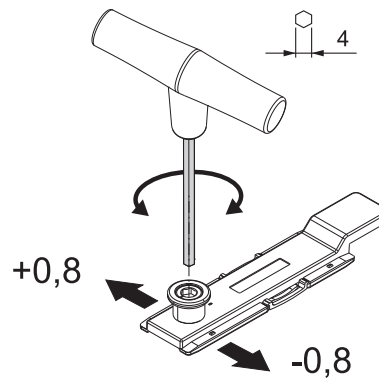
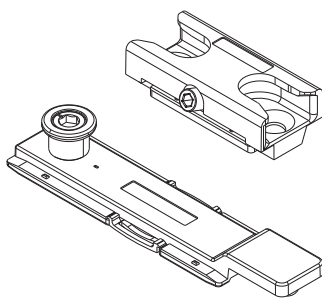
Materials

Striker body made of zamak with GS SILVER PLUS finish.

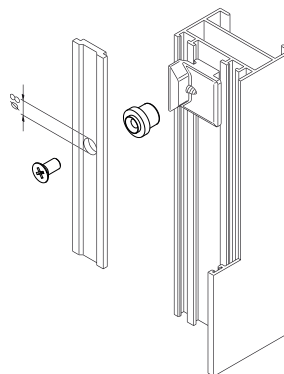
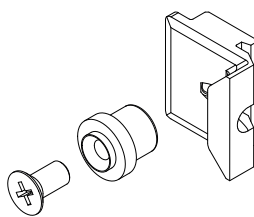
Pin and screw of zinc-nickel plated steel

Stainless steel grub screw

00939



0133001



Item code	Description	Note	Base Raw	Anodised Elox	Painted	Trend/Gold Brass	Pieces per pack
00939	ADDITIONAL FASTENING MECHANISM KIT		X				200
0133001	STRIKER AND PIN FOR THIRD FASTENING MECHANISM		X				50