

## SASH STOP

### Functions

The sash stop is fitted on sash casements of central gasket aluminium frames with the function of keeping the sash locked in the closed position. The casement can be unlocked by simply pressing on the casement. Invaluable for French windows and balcony doors.

Online data sheet



### Technical Features

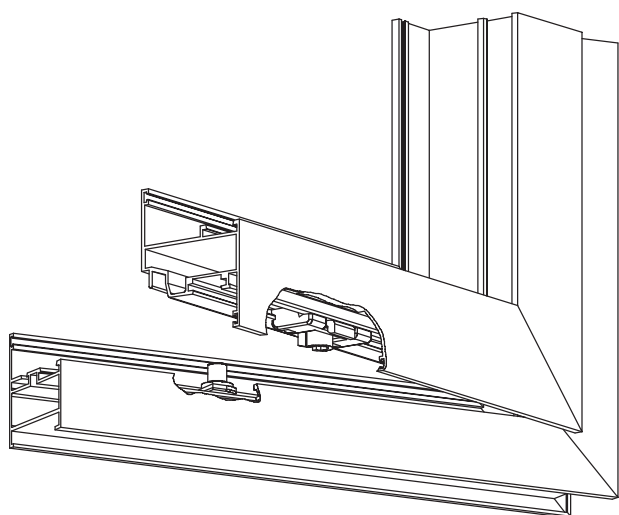
The sash stop is fitted by clamping in the profile channels, therefore very simple and fast because there is no machining. Fitting is possible also at a later time, at the discretion of the window maker or customer.

With the holding device activated the sash can be opened or closed by applying manual pressure without having to operate a release device.

Highly recommended for French windows (often without locks operated from the outside) which require locking on closing (after exiting) to avoid loss of warm or conditioned air to the outside.

### Materials

Striker and pin in fibreglass loaded polyamide  
 Polyamide spring  
 Stainless steel grub screws



Item code	Description	PROFILE CROSS - SECTION	Colour	Base Raw	Anodised Elox	Painted	Trend/Gold Brass	Pieces per pack
02198	SASH STOP	C007-C008	Black	X				50
02198K	SASH STOP	C007-C008	Grey	X				50
02199	SASH STOP	C001-C002-C003-C013-C014-C015-C016-C017	Black	X				50