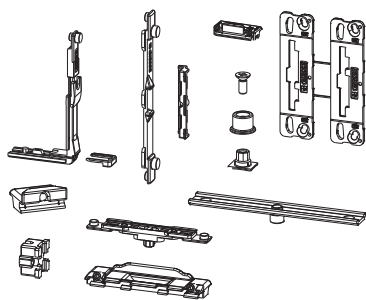


GS1000-ML AND GS1000-HL HARDWARE

**Functions**

Complete fastener system for making GS1000 tilt and slide type windows with manual control.
Available in versions for Euro groove for cremone and window handle and the version for R40.

Online data sheet

**Technical features**

The fastening system uses the Futura tilt-and-turn fastening mechanism with a polyamide rod and LOGICA opening (*) with which operating the cremone produces first tilt opening, then slide opening.

The Euro groove hardware set uses fixed pawls and adjustable strikers (± 1.8 mm) with which you can optimize the perimeter pressure of the sash.

The R40 hardware set instead has fixed strikers and adjustable pawls (± 1.2 mm).

The hardware components are pre-assembled and are attached to the profile with contrast grubscrews, without any specific machining.

It is possible to add up to four additional locking points, depending on the size of the sash.

The hardware set consists of:

- no. 3 corner drives to transmit the motion between the uprights and cross-beams, to be secured to the profile with interlocking clips
- no. 1 cremone drive rod + no.1 incorrect movement safety striker (not included in the window handle hardware set)
- no. 8 locking points (pawls + strikers)
- no. 2 spring latches + strikers for the automatic locking system (not available in the version for R40)
- no. 2 connection rods with fastening mechanism pawl
- no. 1 lift-proof system (block + striker)
- no. 2 incorrect movement safety plates for cremones (1 right + 1 left) to replace the one supplied with the standard cremone
- no. 1 sticker for correct system operation

(*) excluding the configuration for R40

Materials

Drives, drive rod, strikers and pawls of zamak

Automatic catch strikers of zamak

Brass spring latches

Lift-proof striker + block of zamak

Polyamide connection rods

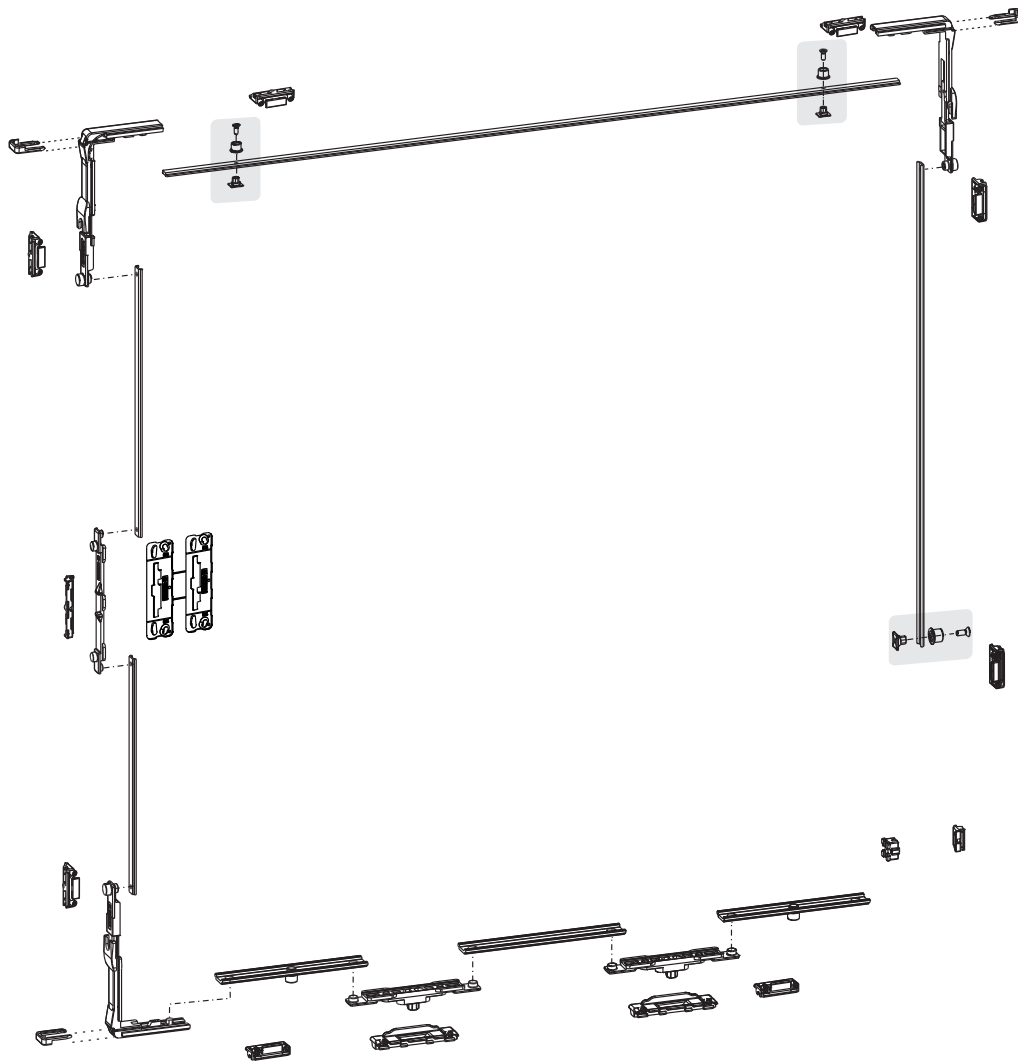
Polyamide incorrect movement safety device

plates

Stainless steel mounting grubscrews

GS1000-HL TILT AND SLIDE

GS1000ML-HL hardware set



Item code	Description	Range [mm]	PROFILE CROSS - SECTION	GS1000-ML	GS1000-HL	GS1000-HD 100	GS1000-HD 160	GS1000-HD 200	Base Raw	Anodised Elox	Painted	Trend/Gold Brass	Pieces per pack
09780	GS1000-ML/HL HARDWARE SET	-	C001-C002-C003-C005	X	X	-	-	-	X				1
09783	GS1000-ML/HL WINDOW HANDLE HARDWARE SET	-	C001	X	X	-	-	-	X				1
09758	GS1000 R40 HARDWARE SET	-	C007	X	X	-	-	-	X				1