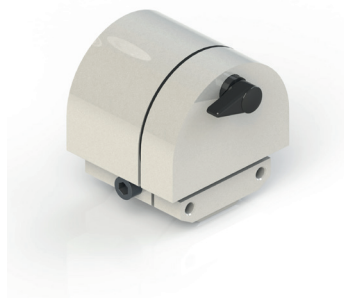


FRIBLOK PIVOT HINGES



Functions

Pivot hinge for horizontally and vertically sashes turning through 180°, fashioned entirely from extruded aluminium billet using precision machining processes.

[Online data sheet](#)



Technical Features

Solidly reliable by virtue of the component structures and the inclusion of a device by which the window can be held at 30° and locked at 180°.

The 30° stop can be rendered inactive by fitting the polyamide insert in the relative slot.

A special screw allows external adjustment of the friction force applied: the action is particularly durable and effective as the metal walls are interfaced with one another by way of a polyamide thrust washer containing a high percentage of glass fibre.

Can also be supplied, to order, without the locking mechanism.

Applications and Load capacities of FRIBLOCK hinge pivots

Horizontal pivot-hinged sash

Weight of sash distributed between the two pivot hinges

Using the fixing screws provided, the overall weight of the pivoted sash (glazing included) can be 70/80 kg.

Vertical pivot-hinged sash

Weight of sash supported entirely by the bottom pivot hinge

The bottom pivot hinge must be fitted with a polyamide thrust plug (code H5065010).

With normal fixing, the overall weight of the pivoting window (glazing included) can be 50/60 kg.

Materials

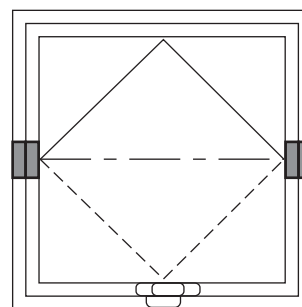
Extruded aluminium hinge body and fixing plates

Zamak clamp adjustment ring

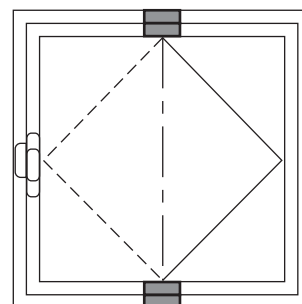
Polyamide thrust washer

Screws and hinge pin of zinc-nickel plated steel.

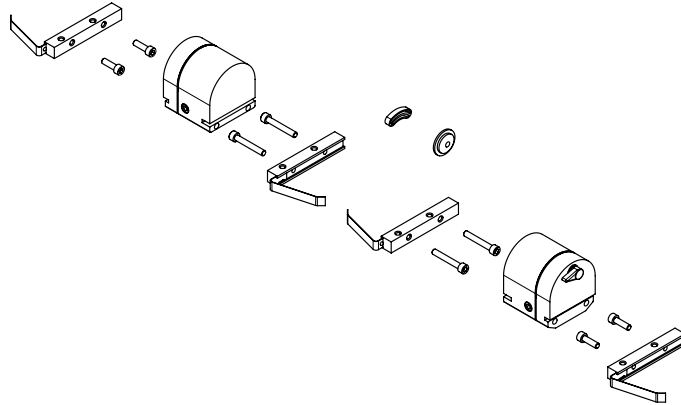
Horizontal pivot-hinged sash



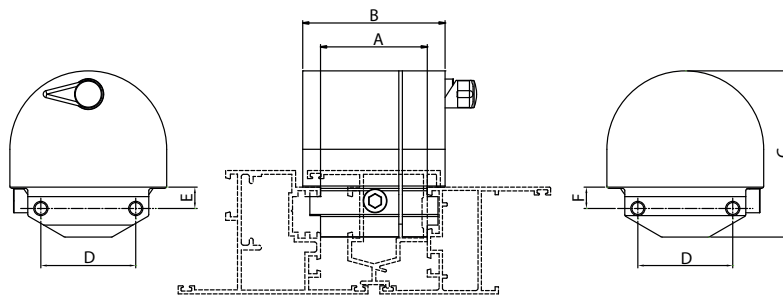
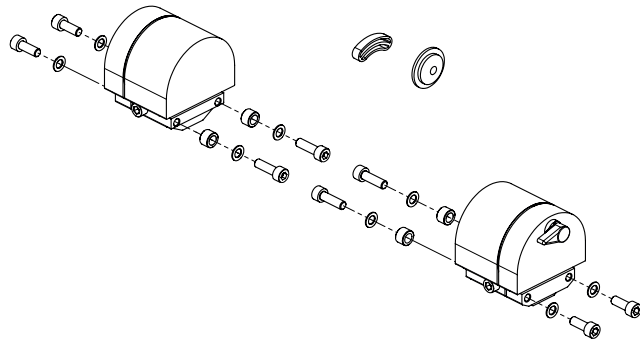
Vertical pivot-hinged sash



Pivot hinge with plates



Pivot hinge without plates



Item code	Description	PROFILE CROSS - SECTION	With plates	With screws	A (mm)	B (mm)	C (mm)	D (mm)	E (mm)	F (mm)	Base Raw	Anodised Elox	Painted	Trend/Gold Brass	Pieces per pack
01416	FRIBLOK PIVOT HINGE	P005	X	-	48,8	67,5	77	46	7,95	7,95	X	X	X		4
01441	FRIBLOK PIVOT HINGE	P001	-	X	45	60	70	40	9	9	X	X	X		4
01443	FRIBLOK PIVOT HINGE	P002	-	X	47	60	70	40	10,5	10,5	X	X	X		4
01448	FRIBLOK PIVOT HINGE	see Where Used	-	X	46	60	70	40	16	16	X	X	X		4
01449	FRIBLOK PIVOT HINGE	see Where Used	-	X	47	68	70	26	19,5	19,5	X	X	X		4