

TECH PIVOT HINGES

**Functions**

Pivot hinge for horizontally and vertically sashes turning through 180°.

Online data sheet

**Technical Features**

Pivoted sash with friction-controlled opening up to 30°; gripping force selectable by turning a screw associated with both pivot hinges.

The sash opens to 30°; to open further for cleaning, press the release button located on one of the two hinges.

When the lever is released, the mechanism opens to 180° and will lock the sash automatically in this position to avoid unauthorized closures.

To close the sash, operate the release button again.

Each pair of Tech pivot hinges requires a set of fixing plates specific to the selected profile; these must be ordered separately.

Each set of plates comprises 2 sash plates and 2 frame plates.

The geometry of the sash-mounted plate is designed to allow the passage of closure hardware fitted to the perimeter.

Materials

Male and female hinge bodies, diecast zamak painted in RAL colours

Internal mechanisms made of diecast zamak

Release button, black polyamide

Extruded aluminium plates

Stainless steel screws

Capacities

Using Tech pivot hinges in combination with Giesse original plates, pivot sashes can be specified with the following maximum dimensions and weights:

Horizontal pivot-hinged sash

Maximum weight of sash (aluminium + glass): 120 Kg

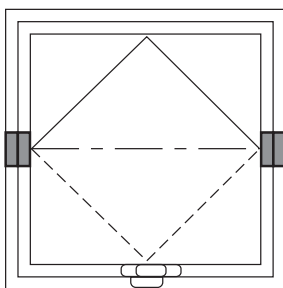
Maximum sash dimensions: height 2200 mm - width 1600 mm

Vertical pivot-hinged sash

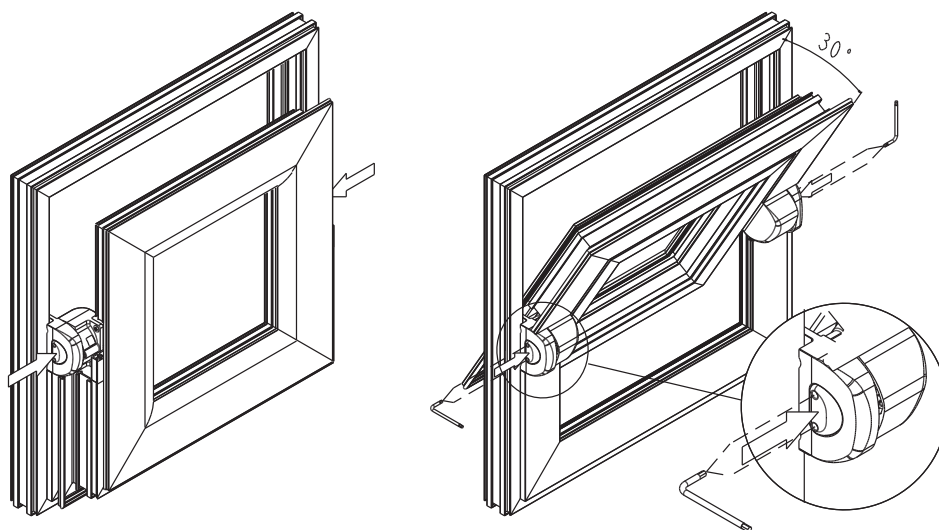
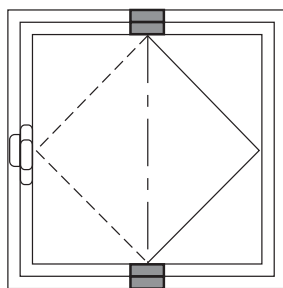
Maximum weight of sash (aluminium + glass): 100 Kg

Maximum sash dimensions: height 2200 mm - width 1600 mm

Horizontal pivot-hinged sash

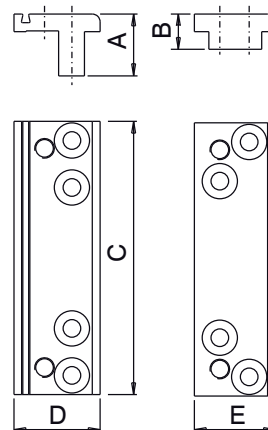
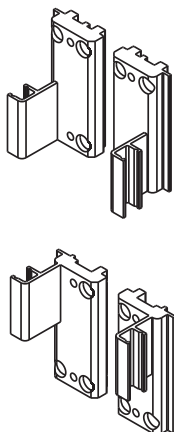


Vertical pivot-hinged sash



PIVOT HINGES

Fixing plates (specific to series)



Item code	Description	PROFILE CROSS SECTION	With lock	A (mm)	B (mm)	C (mm)	D (mm)	E (mm)	Base Raw	Anodised Elox	Painted	Trend/Gold Brass	Pieces per pack
01420	SET OF MOUNTING PLATES FOR TECH PIVOT HINGE	P001	-	15,8	9	69,8	22	20,7	X				4
01421	SET OF MOUNTING PLATES FOR TECH PIVOT HINGE	P002	-	10	15,8	69,8	20,7	20,9	X				4
01422	SET OF MOUNTING PLATES FOR TECH PIVOT HINGE	P003	-	12,5	16,25	69,8	37,7	38,8		X			4
01424	SET OF MOUNTING PLATES FOR TECH PIVOT HINGE	P005	-	11,3	17,5	69,8	21	22,5	X				4
01427	SET OF MOUNTING PLATES FOR TECH PIVOT HINGE	P007	-	13	19	69,8	20,5	24	X				4
01428	SET OF MOUNTING PLATES FOR TECH PIVOT HINGE	P008	-	10,75	17,5	69,8	21,5	22,5	X				4
01429	SET OF MOUNTING PLATES FOR TECH PIVOT HINGE	P001-P009	-	11,3	17,5	69,8	21	22,5	X				4
01431	SET OF MOUNTING PLATES FOR TECH PIVOT HINGE	P010	-	12,5	18,8	69,8	22	22	X				4
01439	TECH PIVOT HINGE WITHOUT PLATES	P001-P002-P003-P004-P005-P006-P007-P008-P009-P010	NO	-	-	-	-	-	X		X		4
01459	TECH PIVOT HINGE WITHOUT PLATES	P001-P002-P003-P005-P006-P007-P008-P009-P010	YES	-	-	-	-	-	X		X		4
01464	TECH PIVOT HINGE WITHOUT PLATES	-	YES	-	-	-	-	-	X	X	X		8