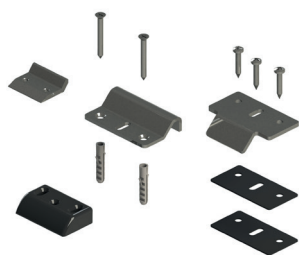


STRIKERS FOR HANDLES AP001



Functions

Fastening strikers to be combined with panic exit devices AP001 and AP002.

[Online data sheet](#)



Technical Features

Type 1

Lateral striker in stainless steel for panic exit devices in fire-rated version AP001F AP002F.

Ensures operation of the safety device and therefore operation of the door, also in the event of fire.

The striker has no. 6 shims of 1 mm, which can overlap, for adjusting the various series of profiles.

Fixing to the profile with self-tapping screws.

Materials

Striker and shims in stainless steel

Screws for fixing to the profile in stainless steel

Type 2

Floor striker to be placed at the bottom vertical spring latch of the panic exit devices AP001 and AP002.

Supplied with the additional spring latches, it can also be purchased separately.

Materials

Stainless steel striker

Screws for fixing to the profile in stainless steel

Plastic expansion dowels for fixing

Type 3

Adjustable side striker to be placed at the side or vertical spring latches of the panic exit devices AP001 and AP002.

Supplied with the handles and the additional spring latches, it can also be purchased separately.

The striker has no. 5 shims respectively of 1 mm, 2 mm and 4 mm, which can overlap with each other for fixing the various series of profiles.

Fixing to the profile with self-tapping screws.

Materials

Side striker in zamak

Polyamide side shims

Screws for fixing to the profile in stainless steel

Type 4

Side striker for PVC.

Materials

Stainless steel striker

Stainless steel fixing screws

Type 5

Side striker for PVC and wood.

Materials

Zamak components

Stainless steel fixing screws

Type 6

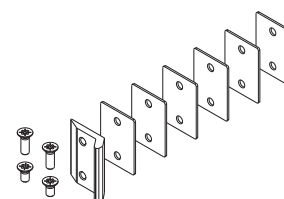
Side striker for PVC and wood.

Materials

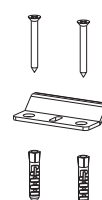
Zamak components

Stainless steel fixing screws

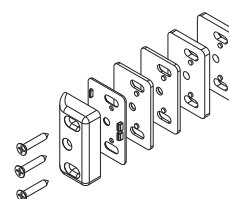
Type 1



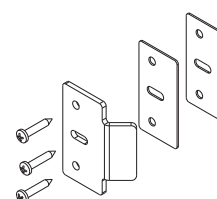
Type 2



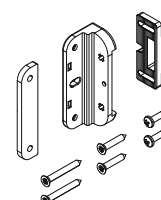
Type 3



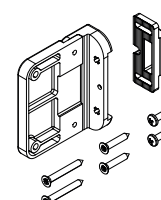
Type 4



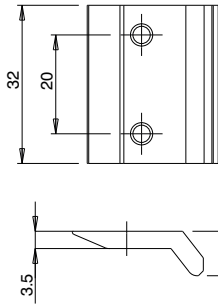
Type 5



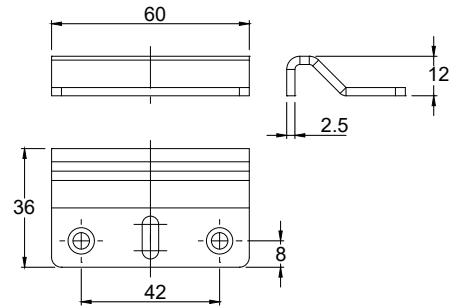
Type 6



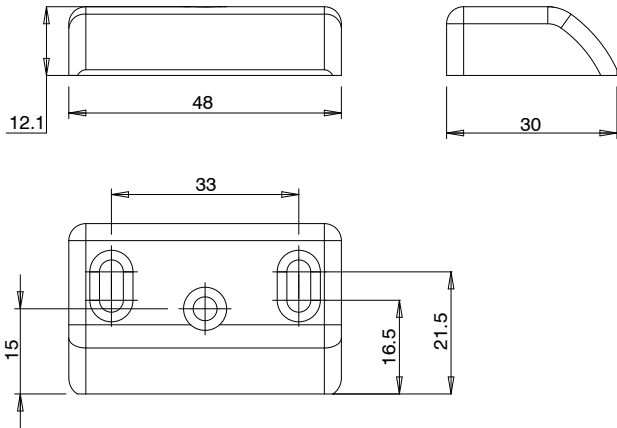
Type 1



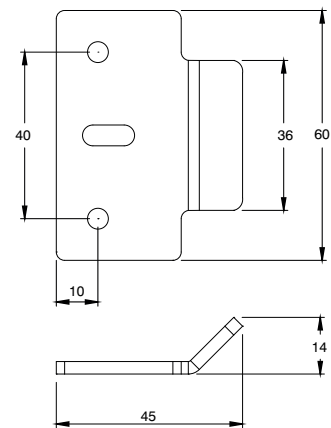
Type 2



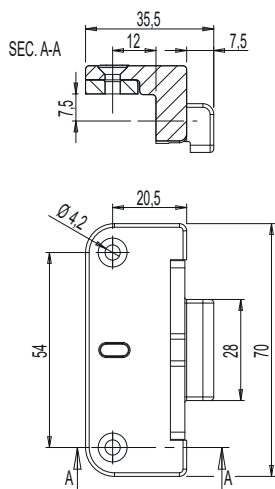
Type 3



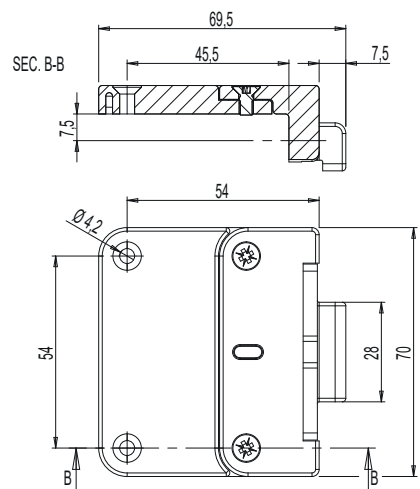
Type 4



Type 5



Type 6



Item code	Description	Type	Base Raw	Anodised Elox	Painted	Trend/Gold Brass	Pieces per pack
07470N	LATERAL STRIKER FOR HANDLES AP001F/AP002F	1	X				10
07471	FLOOR STRIKER FOR HANDLES AP001/AP002	2	X				10
07472	LATERAL STRIKER FOR HANDLES AP001/AP002	3	X				10
07473	LATERAL STRIKER FOR PVC FOR HANDLES AP001/AP002	4	X				10
07474	Side striker for PVC and wood AP001-AP002	5			X		10
07475	Side striker for PVC and wood L AP001-AP002	6			X		10