

## PROVENCE STRIKERS

### Functions

Strikers for closing the Provence cremone

Online data sheet



### Technical Features

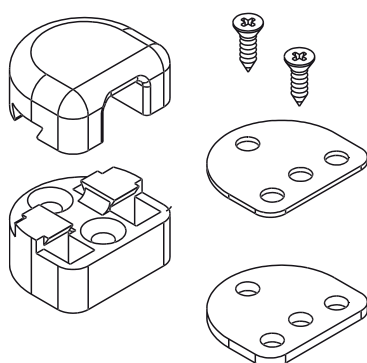
It is fitted on the frame and intercepts the bolt tip applied on the aluminium rod, which is moved by the cremone. Both models are for an overlap of 7 mm, but with shims they can go up to 10 mm.

With the Provence strikers it is possible to have fasteners on both inward-opening and outward-opening casements (flush and overlap).

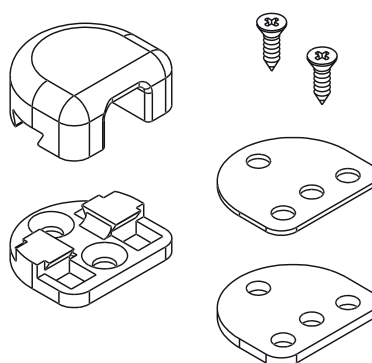
### Materials

Die-cast zamak plate and casing  
Polyamide shims  
Zinc plated steel screws.

Inward opening striker



Outward opening casement striker



Item code	Description	Step	Overlap Inward Opening	Flush Inward Opening	Overlap Outward Opening	Flush Outward Opening	Base Raw	Anodised Elox	Painted	Trend/Gold Brass	Pieces per pack
01294N	PROVENCE STRIKER	7 ÷ 10 mm	x				X		X		20
01295N	PROVENCE STRIKER	7 ÷ 10 mm		x	x	x	X		X		20