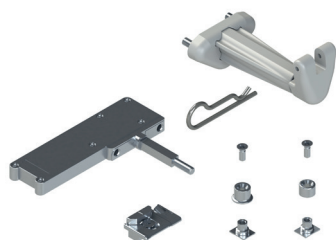


## VARIA SLIM MULTI-LOCKING ACCESSORY KIT



### Functions

Multi-locking kit which, when used in conjunction with a VARIA 24Vdc or VARIA UNI 230Vac actuator creates a multiple locking system for bottom-hung windows.

### Technical Features

The main components of kit art. 01655 are: mechanism; pull pawl and a special bottom-hung window bracket.

When it is coupled to a Varia actuator (Varia 24Vdc art. 01495 or Varia UNI 230Vac art. 01654) the bracket transfers the movement from the operator chain to the rod, generating a one-way movement of the multi-lock.

The pack also contains a pawl and striker to create a locking point for Euro groove systems.

The angle drives and the other locking points are to be purchased separately. Controlling the actuator in the opening direction, the multi-point kit first causes movement of the pin and levers inside the mechanism, with consequent movement of the rod and release of the fastening mechanisms so the window can be opened.

Controlling the actuator in the closing direction produces the opposite effect: the returning chain closes the sash and then continues its action to compress the pin and consequently secure the fastening mechanisms.

The Bottom-hung window multi-locking kit art. 01655 is directly applicable to Euro groove systems.

To apply the kit to R40 systems it must be combined with adapter art. 01664.

### Materials

Mechanism in die-cast Zamak and polyamide

Polyamide cover

Steel drive lever

Steel thrust slider

Steel dowels

External part of the bottom-hung window bracket in polyamide

Connection device in steel and polyamide

Counter spring in harmonic steel

Pawl and striker in die-cast Zamak

Steel fixing pin

Galvanized steel bracket fixing screws

### Parts

1 Internal mechanism

1 Telescopic bottom-hung window bracket

1 Fixed driving pawl

1 Fixed closing pawl (for Euro groove and R40 systems)

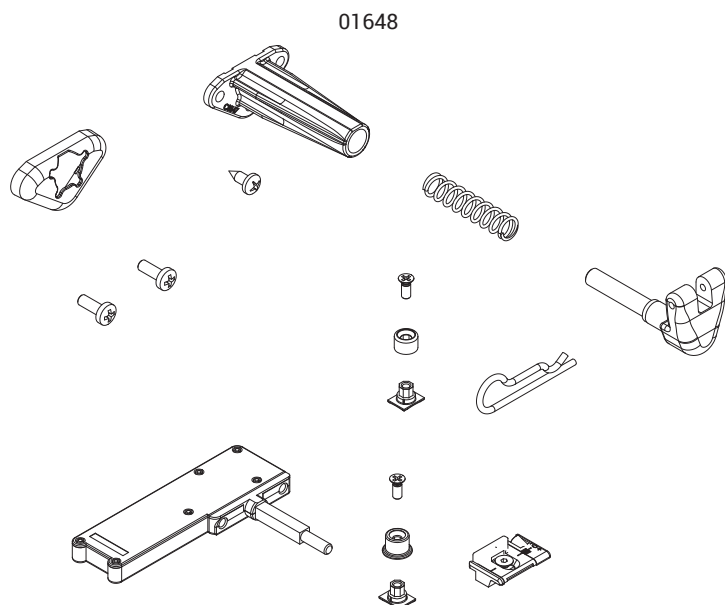
1 Adjustable closing striker (exclusively for Euro groove systems)

1 Pin for fixing chain to bottom-hung window bracket

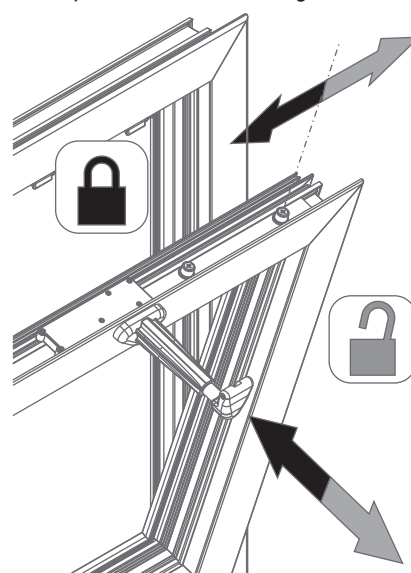
2 Bottom-hung window bracket to internal mechanism fixing screws

1 Bottom-hung window bracket to profile fixing screw

1 Fixing screws guard

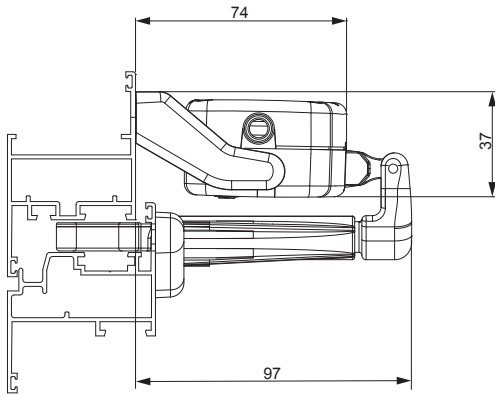


Operation of multi-locking device

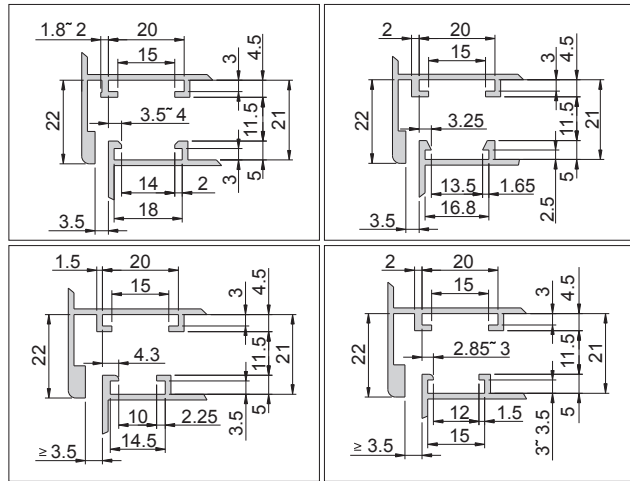


# CHAIN ACTUATORS

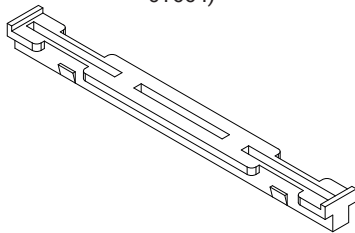
Application example of multi-locking kit with Varia chain actuator



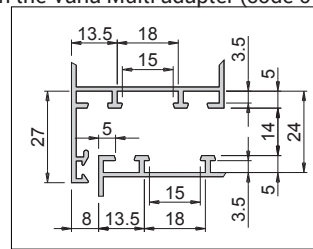
Euro groove systems compatible with art. 01648



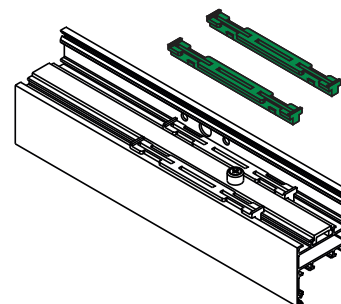
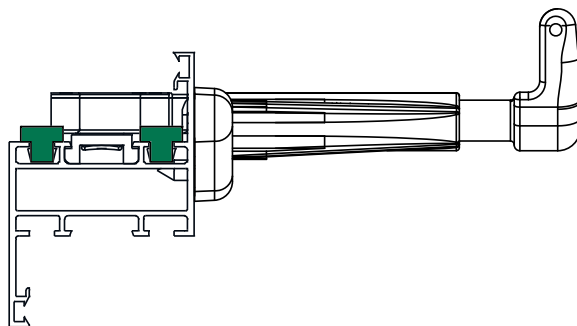
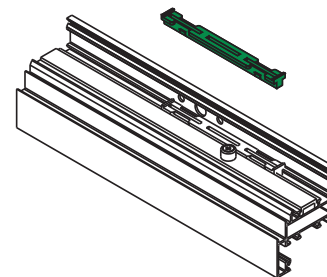
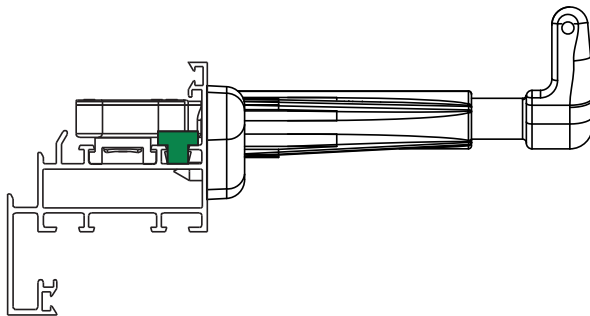
Varia Multi adapter for R40 systems (code 01664)



R40 system profile cross-section on which art. 01648 can be installed in conjunction with the Varia Multi adapter (code 01664)



Application examples of the adapter for R40 systems (code 01664)



Item code	Description	Note	Base Raw	Anodised Elox	Painted	Trend/Gold Brass	Pieces per pack
01648	VARIA SLIM MULTI-LOCKING ACCESSORY KIT		X				5