

BRIO EVO COUPLING KIT

Functions

Brio coupling kits comprise the components necessary for creating a fastening mechanism on aluminium sliding windows or doors. They can be used in combination with the full Brio range (Brio Evo, Brio Mini Evo, Brio Evo Rapid, City Cremona handles, including Key versions).

Online data sheet



Technical Features

The coupling kits are composed of nib and a counterplate, packed together so that the window maker has everything required for making the fastening mechanism for the sliding door or window.

The nib is available in stainless steel and zamak.

The length and anchoring varies depending on the profile to be used.

The counterplate is available in stainless steel or zamak.

Depending on the frame in which it is to be fitted, it is available in the following versions:

A – insert

B – front mounting

C – front mounting with milled rail

D – front mounting with milled rail and shutter

E – miscellaneous

Materials

Stainless steel nibs

Counterplates: A – zamak counterplate and stainless steel grub screws

B – zamak counterplate and stainless steel screws

C – counterplate and screws in stainless steel

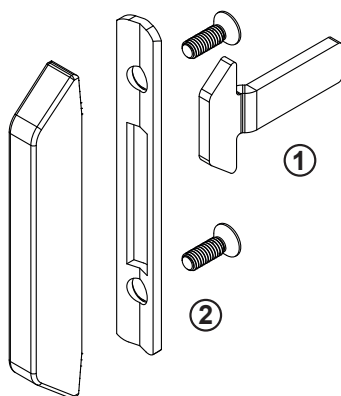
D – shutter in zinc plated zamak and counterplate and screws in stainless steel

E – zamak

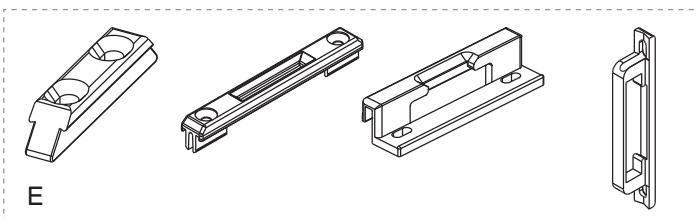
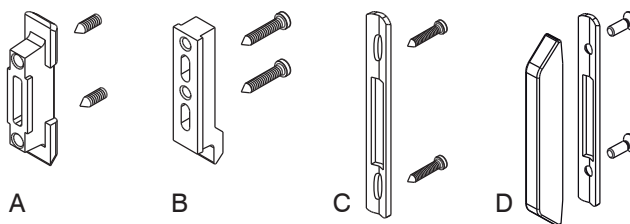
Example of Brio Evo coupling kit

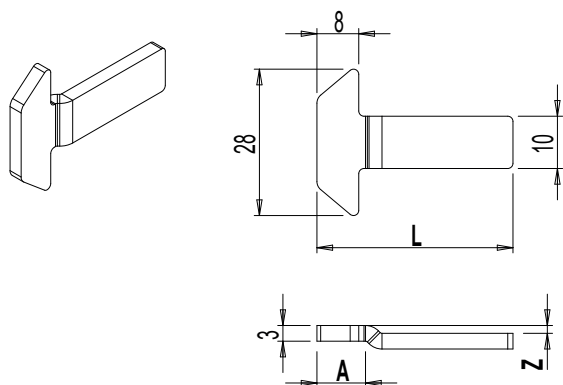
1 - Nib

2 - Counterplate (variable depending on the product)



Possible counterplates





Item code	Description	Nib	L	A	Z	Counterplate	Counterplate type	Base Raw	Anodised Elox	Painted	Trend/Gold Brass	Pieces per pack
0078902	BRIO EVO COUPLING KIT	0333301	33	9,5	1	9007601	E	X				20
0080201	BRIO EVO COUPLING KIT	0458901	36,3	0	0	90032	A	X				20
0488801	BRIO EVO COUPLING KIT	0457701	38,3	0	0	specific	C/D	X				20
0489101	BRIO EVO COUPLING KIT	0458001	51	0	0	90047	B	X				20
0489301	BRIO EVO COUPLING KIT		50	14	3,5	90047	B	X				20
0489401	BRIO EVO COUPLING KIT	0458201	37,5	9,5	1,5	specific	C/D	X				20
0489501	BRIO EVO COUPLING KIT	0458301	44,5	9,5	1,5	03337	B	X				20
0489601	BRIO EVO COUPLING KIT	0499101	44	14	3,5	specific	C/D	X				20
0489701	BRIO EVO COUPLING KIT	0459401	43	12,5	5,5	specific	C/D	X				20
0489901	BRIO EVO COUPLING KIT	0458201	37,5	9,5	1,5	specific	C/D	X				20
0490201	BRIO EVO COUPLING KIT	0458901	32	9	5	03336L	C/D	X				20
04902L1	BRIO EVO COUPLING KIT	0458901	32	9	5	03336L	C/D	X				20
0490301	BRIO EVO COUPLING KIT	0458901	32	9	5	04687	A	X				20
0490401	BRIO EVO COUPLING KIT	0458601	32,2	9,5	3,5	04688	C/D	X				20
0490501	BRIO EVO COUPLING KIT	0458601	32,2	9,5	3,5	specific	C/D	X				20
0491001	BRIO EVO COUPLING KIT	0458201	37,5	9,5	1,5	03947	A	X				20
04912L1	BRIO EVO COUPLING KIT	0459501	30	11	8	04690	C/D	X				20
0491301	BRIO EVO COUPLING KIT	0458401	28,5	10,4	3,5	specific	C/D	X				20
0491601	BRIO EVO COUPLING KIT	0458101	29	9,5	1,5	specific	C/D	X				20
0491701	BRIO EVO COUPLING KIT	0499002	36,3	0	0	90047	B	X				20
0491902	BRIO EVO COUPLING KIT	0500401	42	14,8	2,5	90076	E	X				20
0492001	BRIO EVO COUPLING KIT	0459201	50	17	5	90047	B	X				20
0492101	BRIO EVO COUPLING KIT	0499202	38	14	3,5	specific	C/D	X				20
0496601	BRIO EVO COUPLING KIT	0499002	36,3	0	0	specific	C/D	X				20
04994L1	BRIO EVO COUPLING KIT		32	12,5	8	04690	C/D	X				20
0714102	BRIO EVO-CITY COUPLING KIT MONACO TOP LINE	0459001	36,3	0	0	9007601	E	X				20
0714202	BRIO EVO-CITY COUPLING KIT MEDITERRANEA M3	0499202	38	13,7	3,5	9007601	E	X				20