

## BRIO COUPLING KIT

### Functions

Brio coupling kits comprise the components necessary for creating a fastening mechanism on aluminium sliding windows or doors. They can be used in combination with the full Brio Evo range (Rapid, Mini, City, including the Key versions).

Online data sheet



### Technical Features

The coupling kits are composed of nib and a counterplate, packed together so that the window maker has everything required for making the fastening mechanism for the sliding door or window.

Front-mounted counterplate

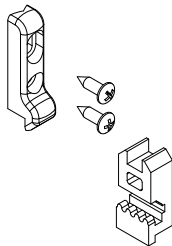
Brio coupling kits can be fitted on:

- Brio Evo
- Brio Mini Evo
- Brio Rapid Evo
- City Cremone
- City Key Cremone

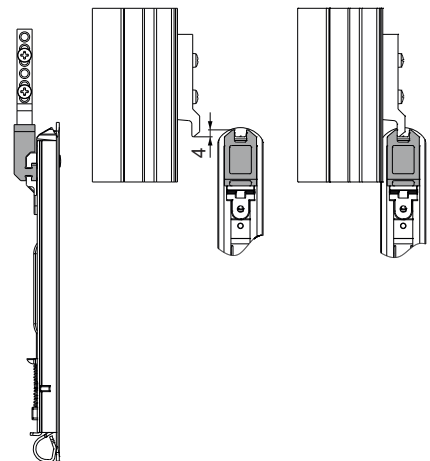
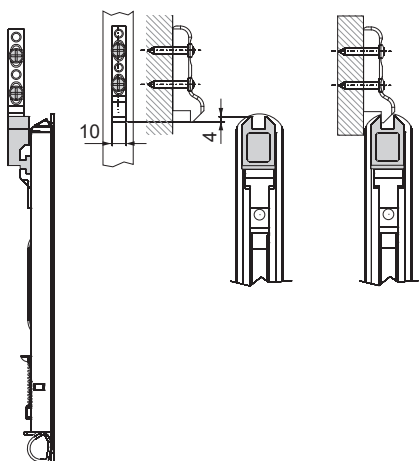
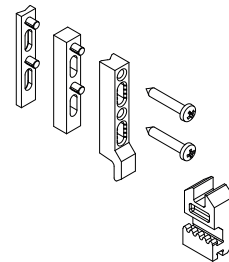
### Materials

Nib and Counterplate in Zamak  
Stainless steel screws

0500201



05005



Item code	Description	Nib	Counterplate	Base Raw	Anodised Elox	Painted	Trend/Gold Brass	Pieces per pack
0500201	BRIO PLUS/BRIO MINI COUPLING KIT	90087N	90038	X				20
05005	BRIO PLUS/BRIO MINI COUPLING KIT	04598	03337	X				20