



PRATIKA/NADA COUPLING KIT

Functions

The coupling kits comprise the components necessary for creating a fastening mechanism on aluminium sliding windows or doors. They can be used in combination with the whole PRATIKA range (including the key version) and NADA range.

Online data sheet



Technical Features

The coupling kits are composed of nib and a counterplate, packed together so that the window maker has everything required for making the fastening mechanism for the sliding door or window.

The nib is made of stainless steel and is available with various lengths and anchorings based on the series used.

The counterplate is available in stainless steel or zamak.

Depending on the frame in which it is to be fitted, it is available in the following versions:

A – insert

B – front application

C – front mounting with milled rail

D – front mounting with milled rail and shutter

Pratika and Nada coupling kits can be applied to:

- Pratika
- Pratika Duo Key
- Pratika Duo
- Nada
- City Cremone

Materials

Stainless steel nibs

Counterplates:

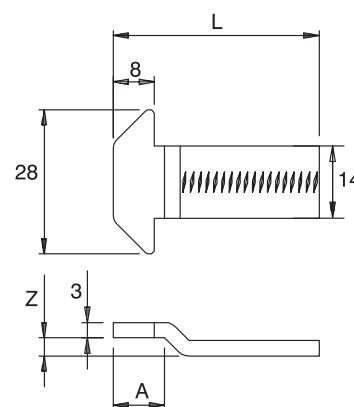
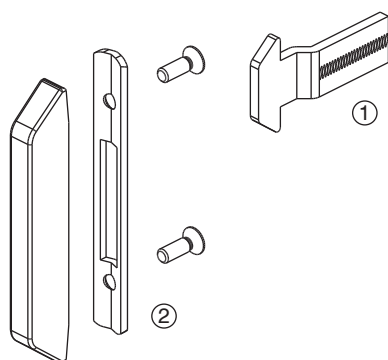
A – zamak counterplate and stainless steel grub screws

B – zamak counterplate and stainless steel screws

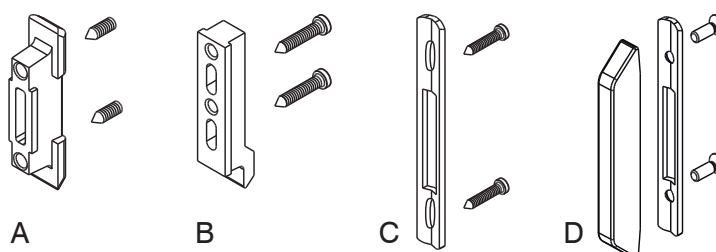
C – counterplate and screws in stainless steel

D – shutter in zinc plated zamak and counterplate and screws in stainless steel

- 1 - Nib
2 - Counterplate (variable depending on the product)



Possible counterplates



FIXED PULLEYS

Item code	Description	Nib	L	A	Z	Counterplate	Counterplate type	Base Raw	Anodised Elox	Painted	Trend/Gold Brass	Pieces per pack
02149	PRATIKA/NADA COUPLING KIT	02675	32	9,5	3,5	Specific	C	X				20
03063L	PRATIKA/NADA COUPLING KIT	02674	30	11	8	04690	C	X				20
03068	PRATIKA/NADA COUPLING KIT	02675	32	9,5	3,5	04688	C	X				20
03069L	PRATIKA/NADA COUPLING KIT	02686	32	12,5	8	04690	C	X				20
03082	PRATIKA/NADA COUPLING KIT	02676	38	0	0	Specific	C	X				20
03083	PRATIKA/NADA COUPLING KIT	02677	37,5	9,5	1,5	Specific	C	X				20
03084	PRATIKA/NADA COUPLING KIT	02678	44,5	9,5	1,5	Specific	C	X				20
03085	PRATIKA/NADA COUPLING KIT	02679	44	14	3,5	Specific	C	X				20
03087	PRATIKA/NADA COUPLING KIT	02680	29	9,5	1,5	Specific	C	X				20
03088	PRATIKA/NADA COUPLING KIT	02681	32	9,5	5	04688	C	X				20
03088L	PRATIKA/NADA COUPLING KIT	02681	32	9,5	5	03336L	C	X				20
03092	PRATIKA/NADA COUPLING KIT	02683	50	14	3,5	90047	B	X				20
03098	PRATIKA/NADA COUPLING KIT	02678	44,5	9,5	1,5	03337	B	X				20
03346	NIB HOLDER FOR STEM SIZE 10 mm							X				50