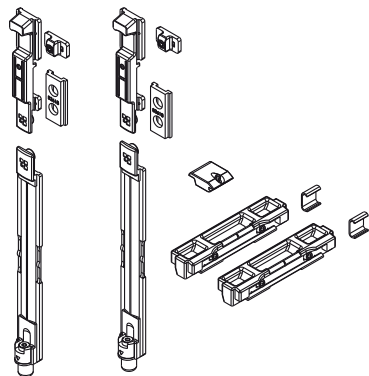


## ADJUSTABLE BOLT SECONDARY SASH KIT



### Functions

Secondary sash fastening mechanism with adjustable bolt.  
For use on the single casement of side hung windows.

Online data sheet



### Technical Features

The fastening mechanism is composed of two adjustable bolts, two closing strikers and a raising element.

The fastening mechanism is to be in addition to the Flash Base hinges.

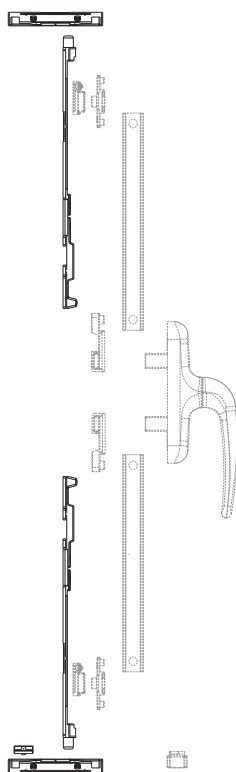
### Materials

Connecting blocks, raiser and mechanism made of polyamide

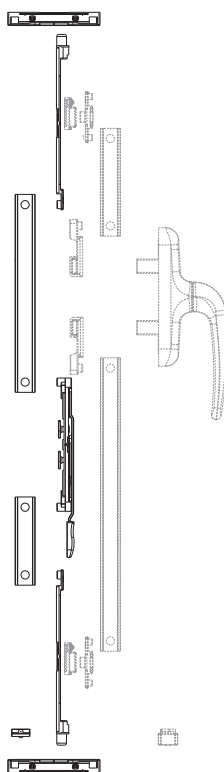
Plug, terminal and strikers in zamak with GS Silver Plus finish (up to 500 h of corrosion resistance)

Insert for strikers and grub screws in stainless steel

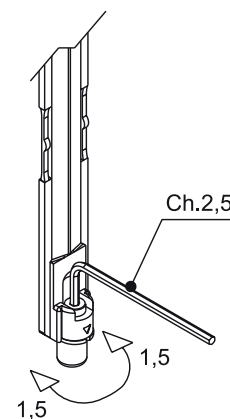
One-way bolt



Two-way bolt



Adjustment



Item code	Description	PROFILE CROSS - SECTION	Sash kit match	Window handle	Base Raw	Anodised Elox	Painted	Trend/Gold Brass	Pieces per pack
02585K	KIT FOR SECONDARY SASH-ADJUSTABLE BOLT	-	02571K - 02574K - 02577K	One-way	X				10
02587K	KIT FOR SECONDARY SASH-ADJUSTABLE BOLT	C001	02571K - 02574K - 02577K - 02578K	Two-way	X				10