



## SECURITY SASH KIT

### Functions

The Security Sash hardware kit permits limited opening of the sash, depending on the arm adjustment, with the cremone turned through 90° and fully opened with the cremone turned through 180°.

Online data sheet



### Technical Features

The kit is available in two versions depending on the position of the arms that can be with horizontal or vertical closing.

The Key Capture cremone and the CHIC 100, CHIC 130, FLASH BASE, BRIDGE 2, CELERA, FULCRA, FLASH XXL type hinges must be added to the kit, depending on the size and capacity of the casement.

Using Key mechanisms you can inhibit full opening of the sash, retaining only the emergency exit.

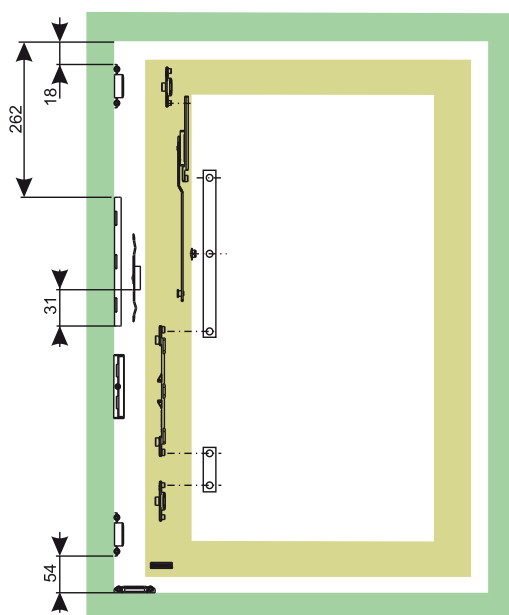
### Materials

Strikers, connection elements, incorrect movement striker, drive rod, slider, stop plate, drives and clips in zamak with GS Silver Plus finish (up to 500 h of corrosion resistance).

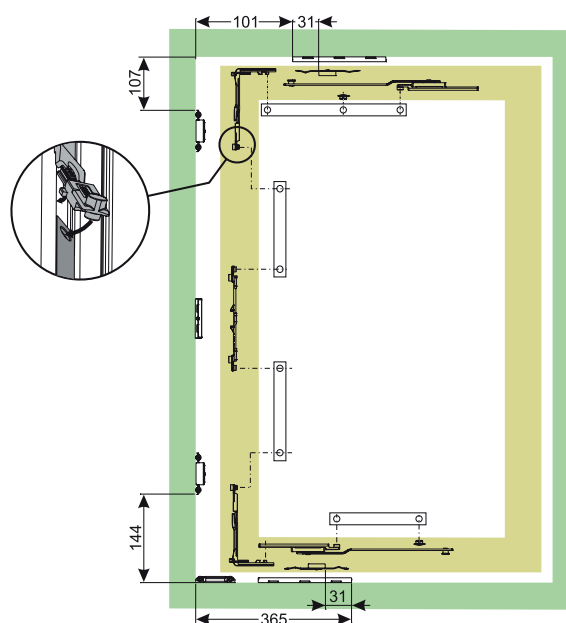
Striker and lifting element, incorrect movement safety device shims, adjustment shims and supporting plug in polyamide.

Screws, grub screws, additional arm and spring for arm in stainless steel.

VERTICAL SECURITY SASH KIT

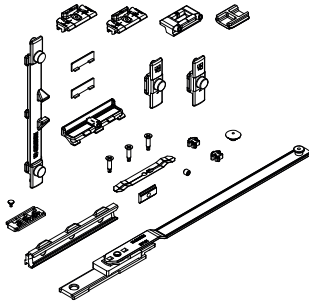


HORIZONTAL SECURITY SASH KIT

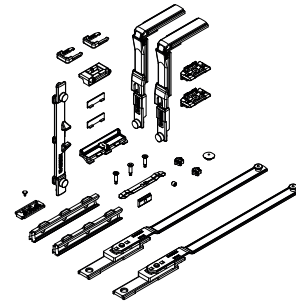


# SECURITY SASH

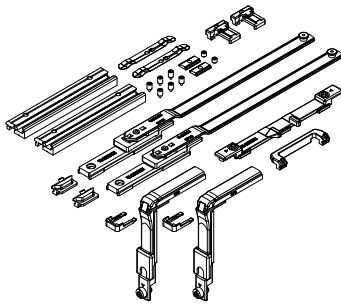
01174K



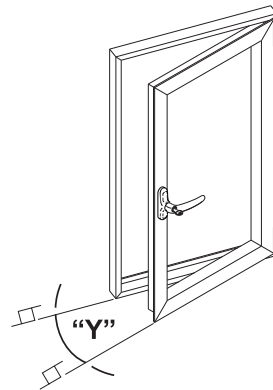
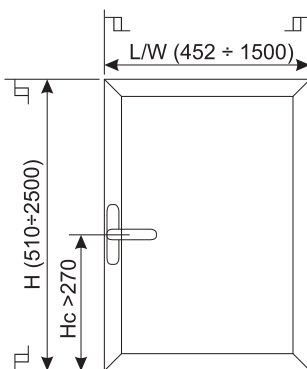
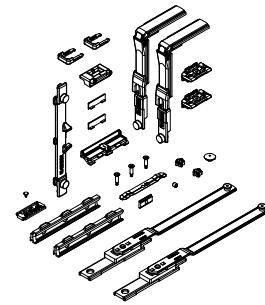
01175K



01207



01210



Item code	Description	PROFILE CROSS - SECTION	Sash range [mm]	Y [mm] Limited sash opening	Base Raw	Anodised Elox	Painted	Trend/Gold Brass	Pieces per pack
01174K	FUTURA VERTICAL SECURITY SASH MECHANISM	C001-C002-C003-C004-C005-C006	W 800 ÷ 1500 H 650 ÷ 2500	110÷140	X				10
01175K	FUTURA HORIZONTAL SECURITY SASH MECHANISM	C001-C002-C003-C004-C005-C006	W 452 ÷ 1500 H 510 ÷ 2500	130÷260	X				10
01207	FUTURA HORIZONTAL SECURITY SASH MECHANISM	C007	L 480 ÷ 1500 H 510 ÷ 2500	130÷260	X				10
01210	FUTURA HORIZONTAL SECURITY SASH MECHANISM	C001-C002-C003-C005	L 397 ÷ 1500 H 510 ÷ 2500	92÷152	X				10