

OS OPERATOR FASTENING MECHANISM KIT



Functions

Fastening mechanism kit composed of a striker and an adjustable pawl.

Online data sheet



Technical features

The OS Operator 2.0 closing kit is composed of 2 components:

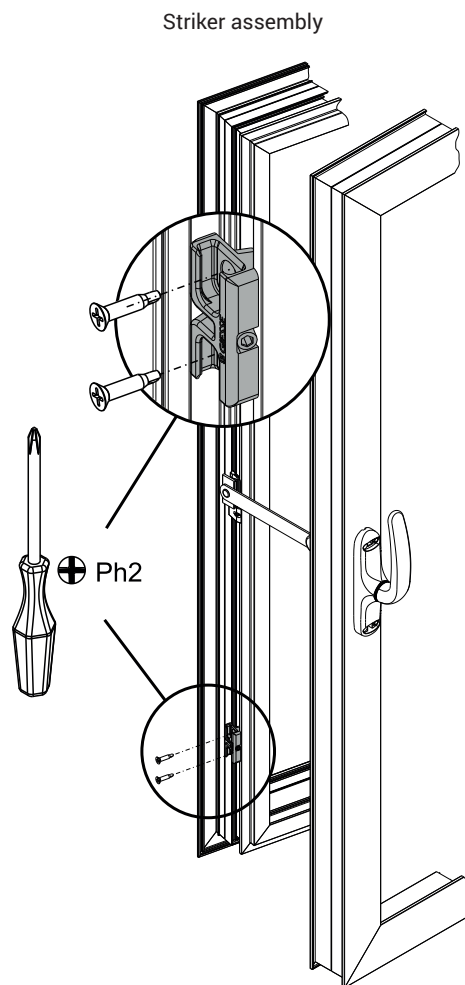
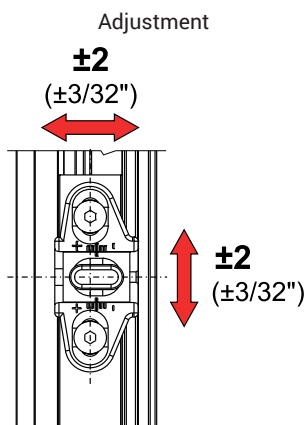
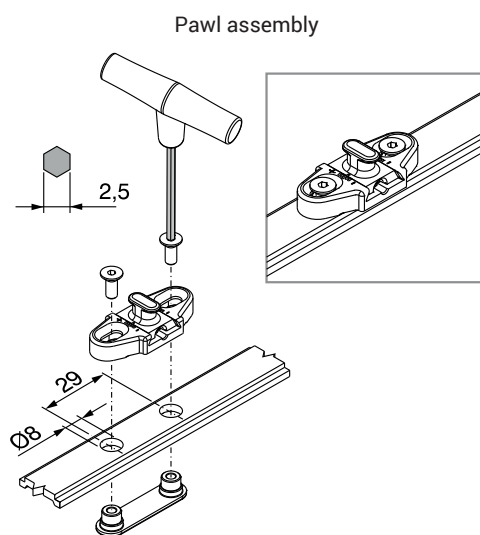
- Striker to be applied on the sash
- Adjustable pawl to apply on the polyamide rod

The system provides for an adjustment of +/-3.2 mm and laterally +/-3.0 mm with the aid of the pawl.

The system is designed for at most 6 locking points.

Materials

Striker body, pawl body, plate and adjustable element made of Giesse Silver Plus zamak  
Screws and grub screws in stainless steel



Item code	Description	Note	Base Raw	Anodised Elox	Painted	Trend/Gold Brass	Pieces per pack
02067	LOCKING POINT		X				10