

CONNECTING KIT



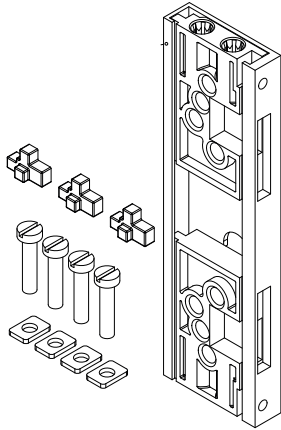
Functions

Components for connecting GIESSE Cremona with the rods of an aluminium window profile.

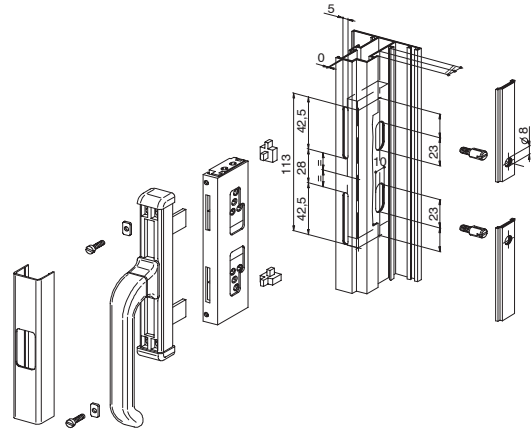
Online data sheet



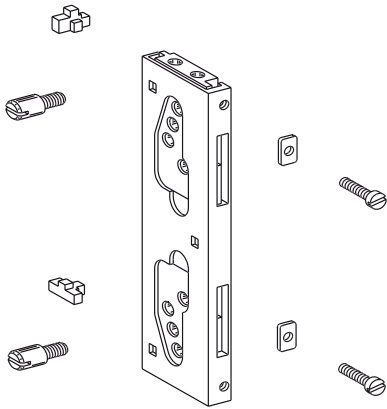
Article 02250



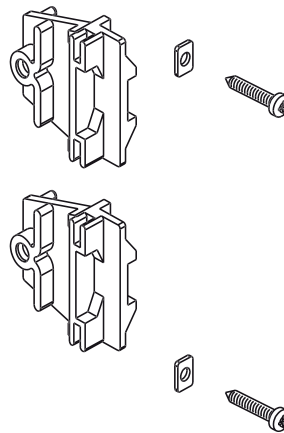
Machining on profile



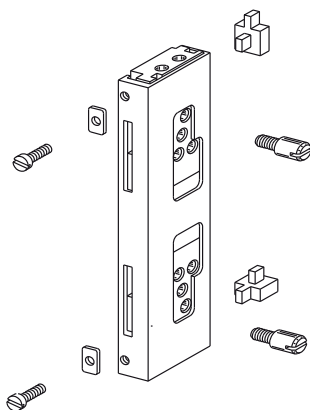
Article 02260



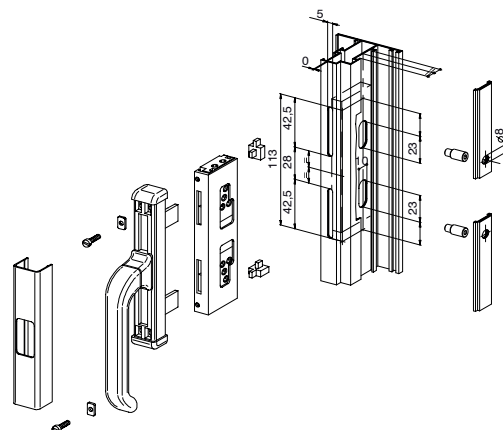
Article 02261



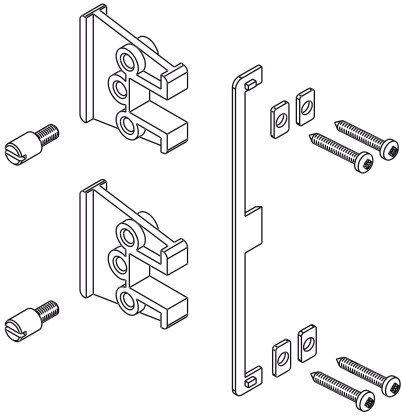
Article 02296



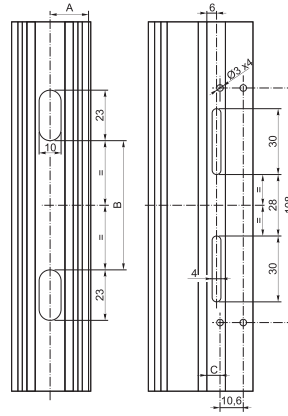
Machining on profile



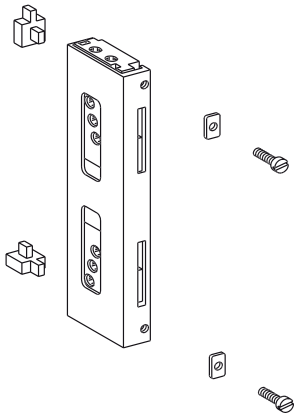
Article 02377



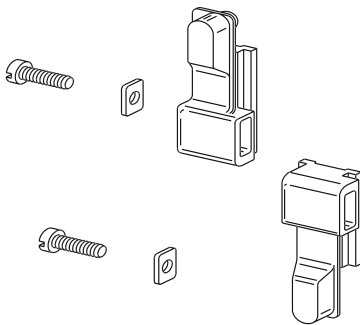
Machining on profile



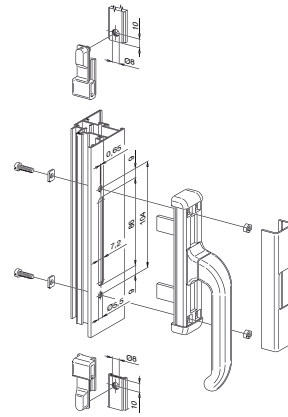
Article 02379



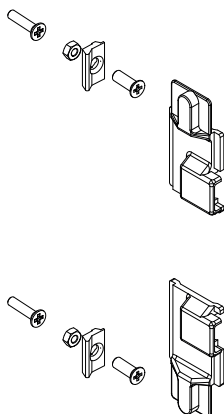
Article 02382N



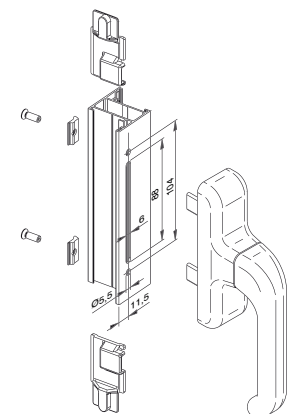
Machining on profile



Article 02383



Machining on profile



Item code	Description	PROFILE CROSS - SECTION	Base Raw	Anodised Elox	Painted	Trend/Gold Brass	Pieces per pack
02250	NOVA CONNECTION KIT	C001-C002-C003-C006-C008-C014	X				20
02260	NOVA CONNECTION KIT	C001-C002-C015	X				20
02261	NOVA CONNECTION KIT	C001-C002-C015	X				20
02296	NOVA CONNECTION KIT	C001-C002-C013	X				20
02377	NOVA CONNECTION KIT	C008-C010	X				20
02379	NOVA CONNECTION KIT	C001-C002	X				20
02382N	NOVA CONNECTION KIT	C001-C002-C003-C006-C010-C013-C014-C015	X				20
02383	EURO CONNECTION KIT	-	X				20