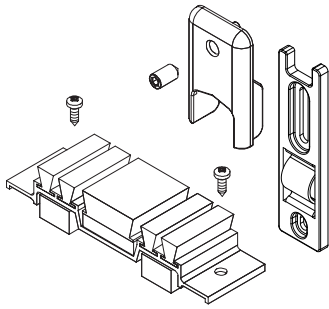


2-SASH SLIDER KIT



Functions

Package includes 4 central upright caps, 2 dust-proof covers and a damping cover for a window or sliding door made of aluminium.

Online data sheet



Technical features

The machining caps improve the appearance of the sash by covering the machining on the central upright.

The dust cap fits to the upper and lower cross beams of the fixed frame using self-tapping screws.

The sponge fits snugly against the sash to prevent dust and water entering. The damper plug, in addition to having a burglar-proof function, prevents the sash from slamming against the frame when closing.

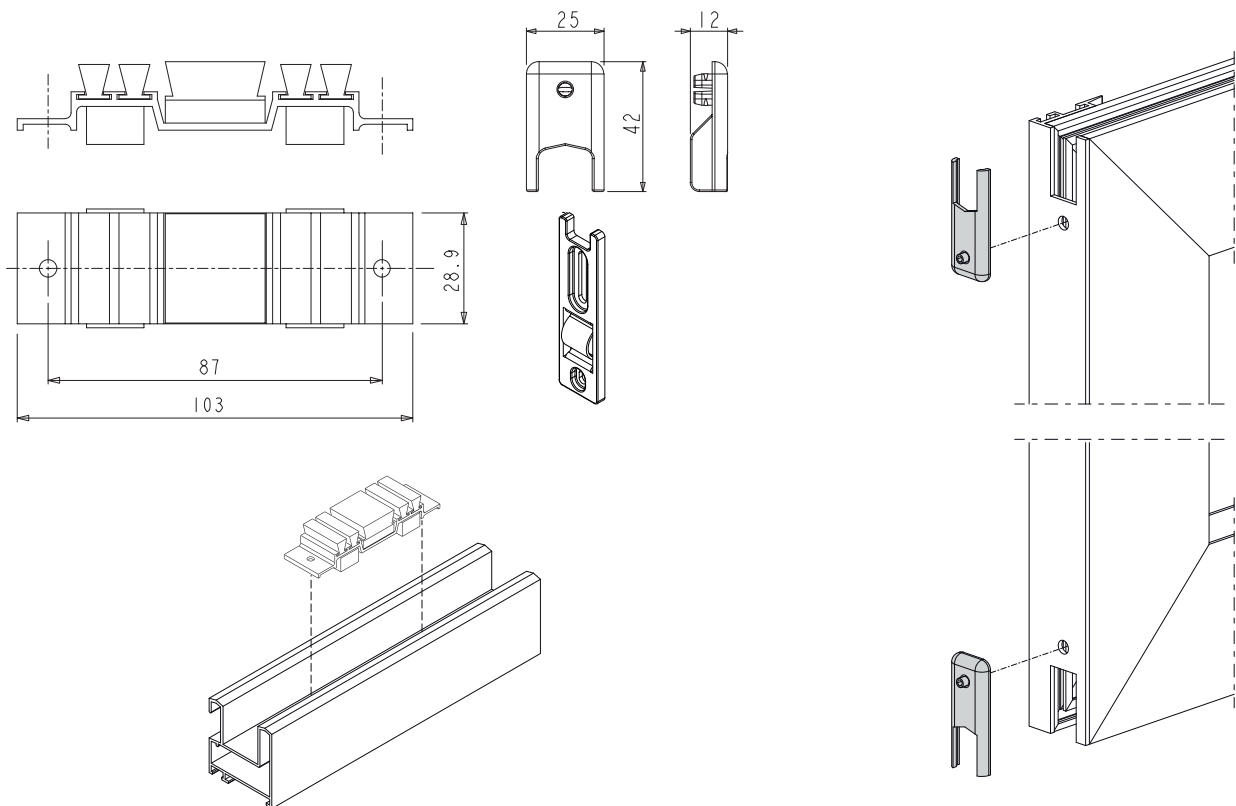
Materials

Dust-proof cover body in black anodized extruded aluminium

Brushes and sponge in expanded EPDM

Screws and grub screws in zinc plated steel

Machining and damper plugs in black polyamide



Item code	Description	Note	Base Raw	Anodised Elox	Painted	Trend/Gold Brass	Pieces per pack
03384	2-SASH SLIDER KIT		X				50