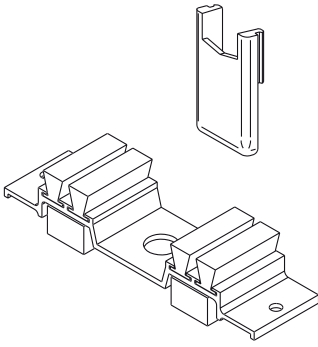


DUST-PROOF GASKET AND UPRIGHTS PLUGS KIT

Functions

Package includes 4 central upright caps and 2 dust-proof covers for a window or sliding door made of aluminium.

Online data sheet

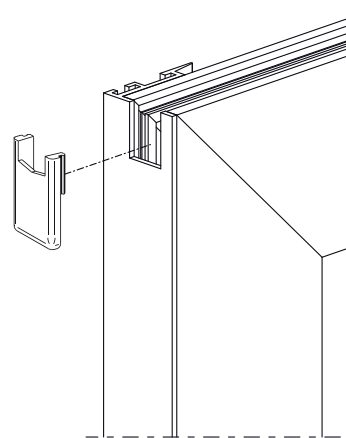
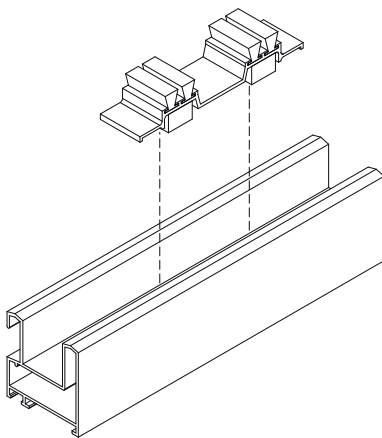
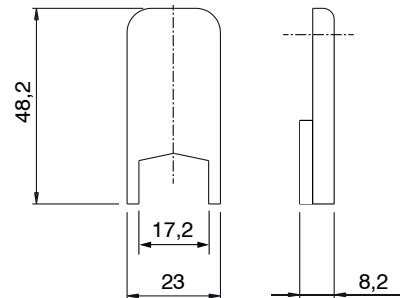
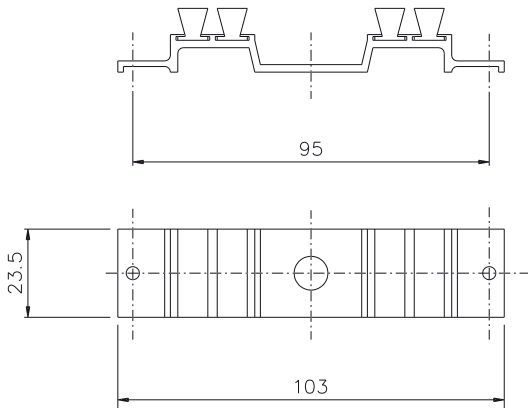
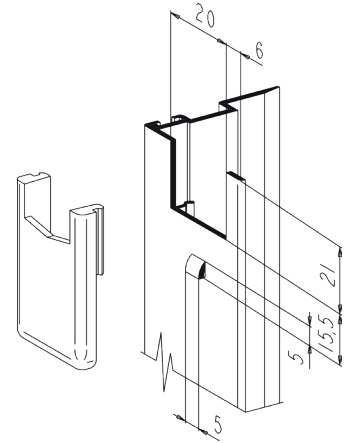


Technical features

The machining caps cover the machining on the central upright.
The dust cap fits to the upper and lower cross beams of the fixed frame using self-tapping screws.
The sponge fits snugly against the sash to prevent dust and water entering.

Materials

Black anodised extruded aluminium body
Brushes and sponge in expanded EPDM
Machining cover in black polyamide



| Item code | Description | Note | Base Raw | Anodised Elox | Painted | Trend/Gold Brass | Pieces per pack |
|-----------|---|------|----------|---------------|---------|------------------|-----------------|
| 03124 | DUST-PROOF GASKET and UPRIGHT PLUGS KIT | | X | | | | 100 |