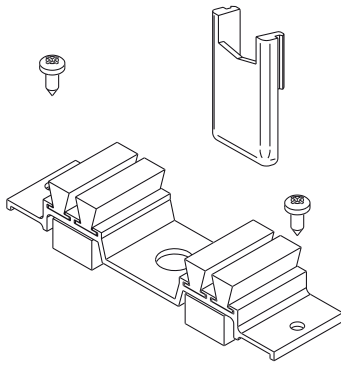


**DUST-PROOF GASKET AND UPRIGHTS PLUGS KIT**



**Functions**

Package includes 4 central upright caps and 2 dust-proof covers for a window or sliding door made of aluminium.

Online data sheet



**Technical features**

The machining caps improve the appearance of the sash by covering the machining on the central upright.

The dust cap fits to the upper and lower cross beams of the fixed frame using self-tapping screws.

The sponge fits snugly against the sash to prevent dust and water entering.

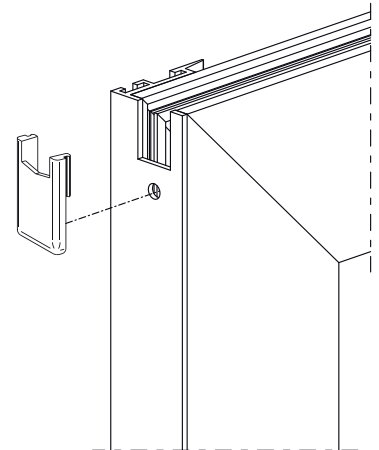
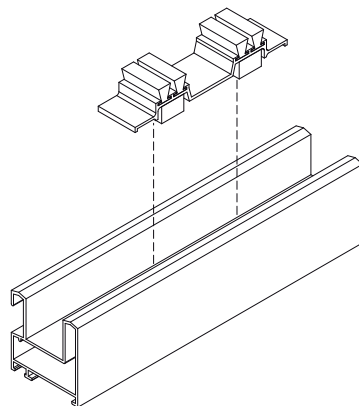
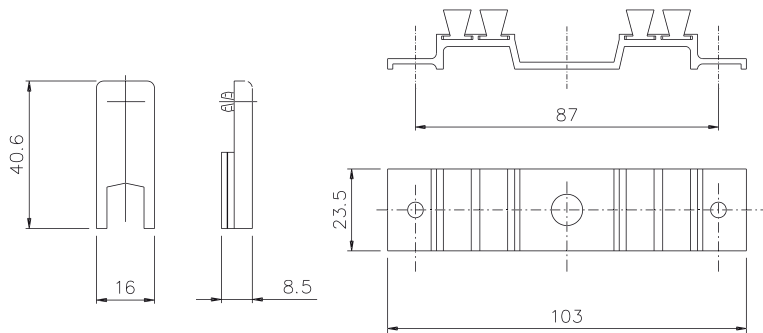
**Materials**

Black anodised extruded aluminium body

Zinc plated steel screws

Brushes and sponge in expanded EPDM

Machining cover in black polyamide.



Item code	Description	Note	Base Raw	Anodised Elox	Painted	Trend/Gold Brass	Pieces per pack
03166	DUST-PROOF GASKET and UPRIGHT PLUGS KIT		X				100