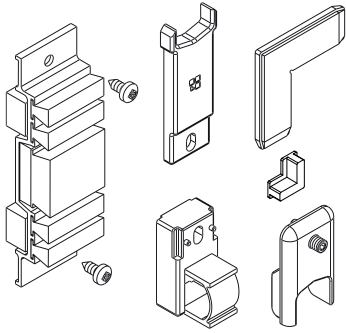


2-SASH SLIDER PLUGS KIT



Functions

Package includes 4 central upright caps, 2 pairs of damping covers, 16 alignment corner joints and 2 dust-proof covers for a window or sliding door made of aluminium.

Online data sheet



Technical features

The machining caps improve the appearance of the sash by covering the machining on the central upright.

The damper plugs, in addition to having a burglar-proof function, prevent the sash from slamming against the frame when closing.

The dust cap fits to the upper and lower cross beams of the fixed frame using self-tapping screws.

The sponge fits snugly against the sash to prevent dust and water entering.

The alignment brackets allow strengthening the junction of the fins.

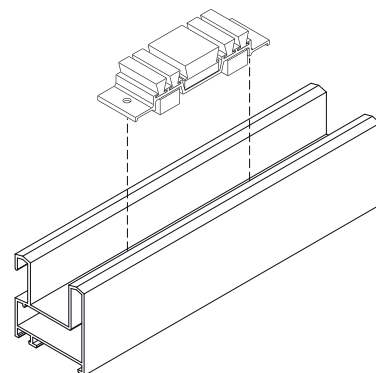
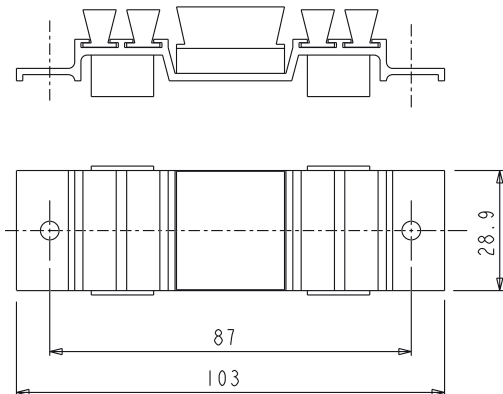
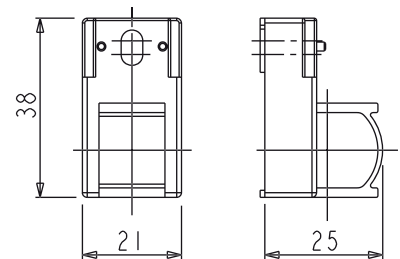
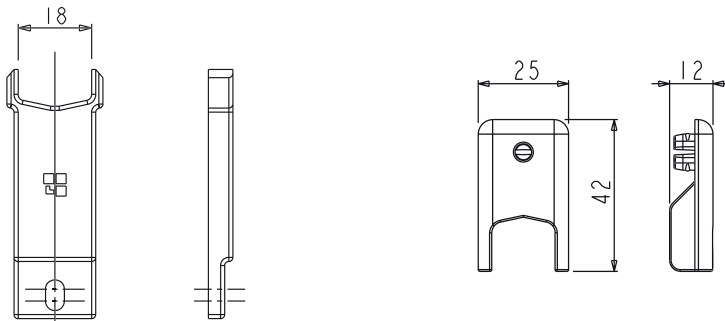
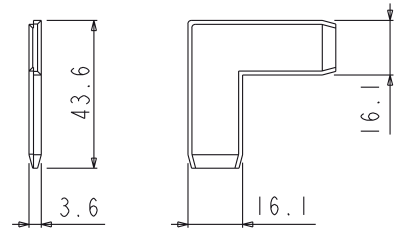
Materials

Black anodised extruded aluminium body

Zinc plated steel screws

Brushes and sponge in expanded EPDM

Cover for machining, alignment corner joint and damper in black polyamide.



Item code	Description	Note	Base Raw	Anodised Elox	Painted	Trend/Gold Brass	Pieces per pack
03185N	2-SASH SLIDER PLUGS KIT		X				50