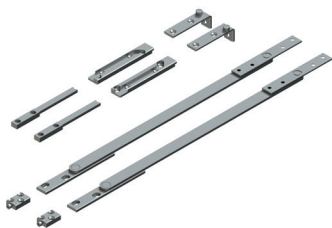


ARMS FOR CURTAIN WALL-TOP HUNG-SIDE HUNG WINDOWS

ULK KIT



Functions

Set of components to produce top-hung or bottom-hung windows.

Online data sheet



Technical Features

The Ulk kit has been created to meet the need for Top-Hung and Bottom-Hung openings which have considerable weight and size.

Thanks to the Ulk kit, windows can be manufactured with sashes weighing up to 250 kg with Top-Hung opening and up to 300 kg with external Bottom-Hung opening (smoke vents).

The Ulk kit has been specifically designed for 17 mm door/frame stack systems, which is the sash/frame distance of all the main systems used for curtain walls.

The Ulk kit is composed of several components, all made of stainless steel: a pair of hinges, a pair of arms and a pair of adjustment devices for adjusting the sash height when Ulk is applied on Top-Hung windows.

The Ulk kit is ideal for large openings with sashes of considerable weight, for this reason it is advisable to use suitable automations for opening and closing the sash.

Top-Hung windows can be manually operated if the sash weighs less than 100 kg, but always in combination with limitation arms.

In case of Bottom-Hung openings (smoke vents) the opening must always be automated.

The maximum permitted sash opening in both Top-Hung and Bottom-Hung windows is 300 mm.

Materials

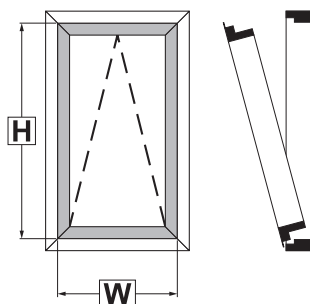
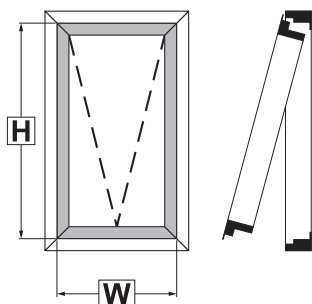
AISI 304 stainless steel

Parts

- 1 pair of hinges (Right - Left)
- 1 pair of arms
- 1 height adjustment device
- 2 stop elements

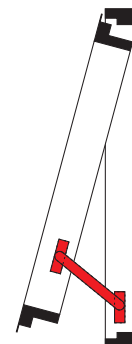


| OUTWARD TOP-HUNG | | OUTWARD BOTTOM-HUNG | |
|------------------|------------------------|---------------------|------------------------|
| Manual mode (*) | Load capacity ≤ 100 kg | Manual mode | Not allowed |
| Motorized | Load capacity ≤ 250 kg | Motorized | Load capacity ≤ 300 kg |
| H [mm] | 1500 ÷ 3500 | H [mm] | 1500 ÷ 4500 |
| W [mm] | ≤ 2000 | W [mm] | ≤ 2000 |



(*) With Manual Opening it is necessary to use opening limitation arms.

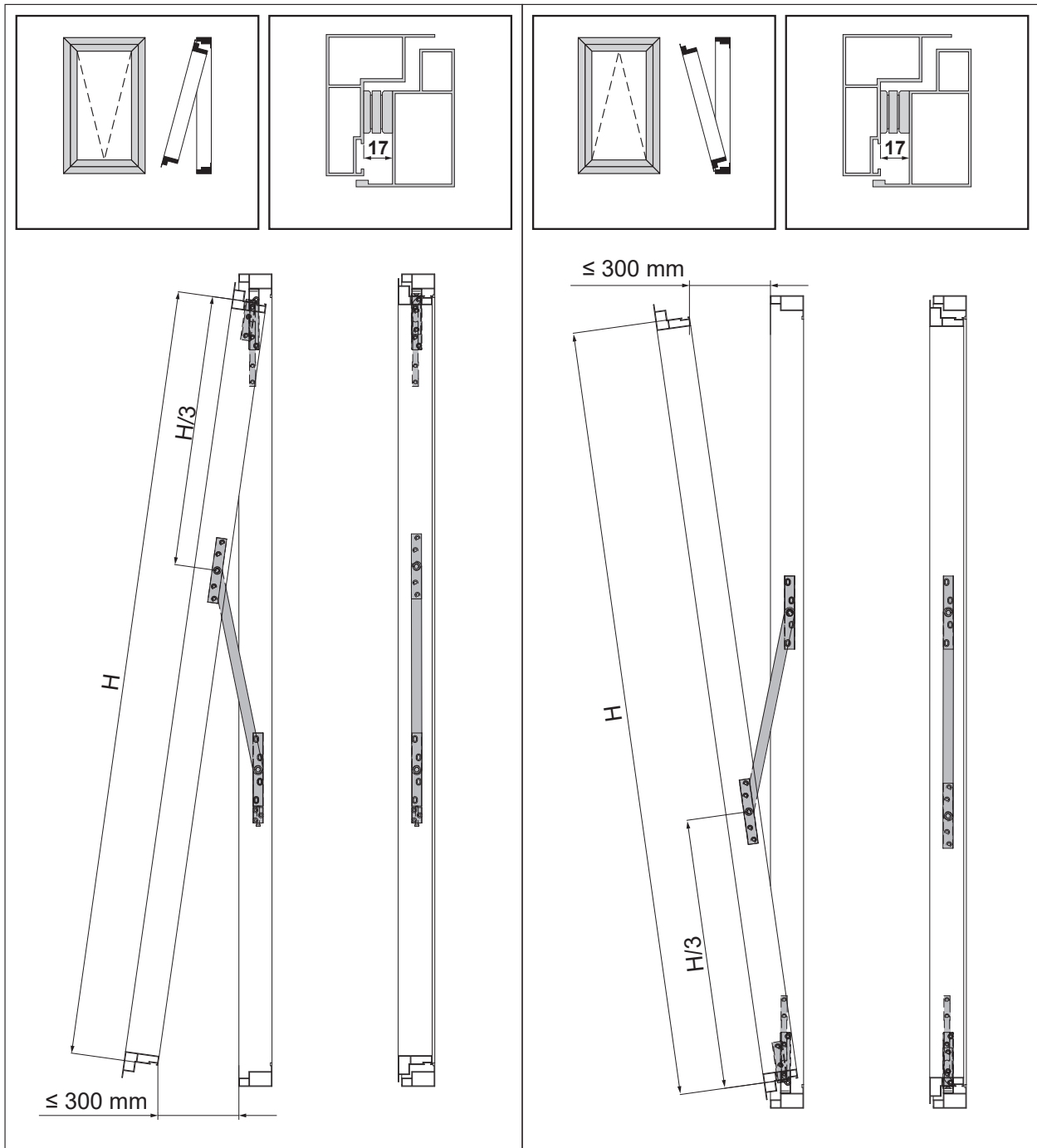
For the correct choice of opening limitation arms contact Giesse Technical Service.



ARMS FOR CURTAIN WALL-TOP HUNG-SIDE HUNG WINDOWS

OUTWARD TOP-HUNG

OUTWARD BOTTOM-HUNG



| Item code | Description | Type of opening | Base Raw | Anodised Elox | Painted | Trend/Gold Brass | Pieces per pack |
|-----------|-------------------------|-----------------|----------|---------------|---------|------------------|-----------------|
| 08500 | ULK KIT FOR 17 mm STACK | Top - Bottom | X | | | | 1 |