



## BRIO EVO KEY HANDLE

### Functions

Reversible recessed handle, with manual mode operation (for door) enabling side locking of sliding sashes.

Online data sheet



### Technical Features

The Brio Evo Key handle allows crossing and overlapping of the two sashes and the end-user can lock the handle in the closed or open position by means of the special key supplied.

After determining the optimum position of the nib (and therefore locking), it is secured with a grub screw, located under the covering cap.

The polyamide slider has two green and red surfaces that indicate respectively sash open and sash closed.

The Brio Evo Key handle is fitted with an antilifting system to ensure that the casement can only be opened by moving the small polyamide recess handle on the interior.

The product is available in two different styles: rounded design and square design. Each style is available with 2-teeth or 1-tooth spring fixing, a solution to be chosen based on the type of sash profile used.

The cylinder is provided with the same keys, on request you can have different keys with 50 different combinations.

### Materials

Body in extruded aluminium

Slider in white die-cast zinc plated Zamak

Polyamide recess handle

Zinc plated steel keys

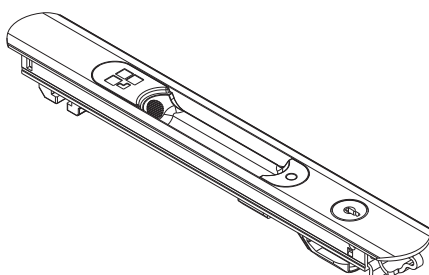
Zamak key cylinder

Stainless steel grub screw

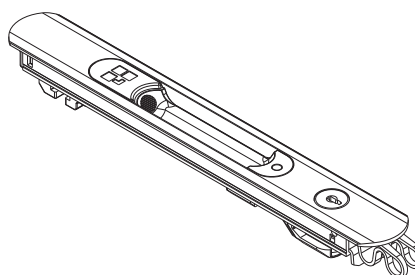
Harmonic steel spring for automatic operation

Bottom fixing spring in C70 Geomet steel

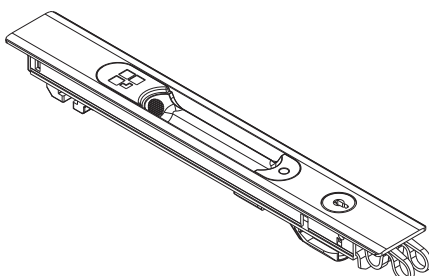
0288201



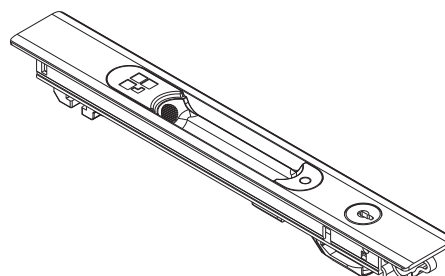
0289201



06005

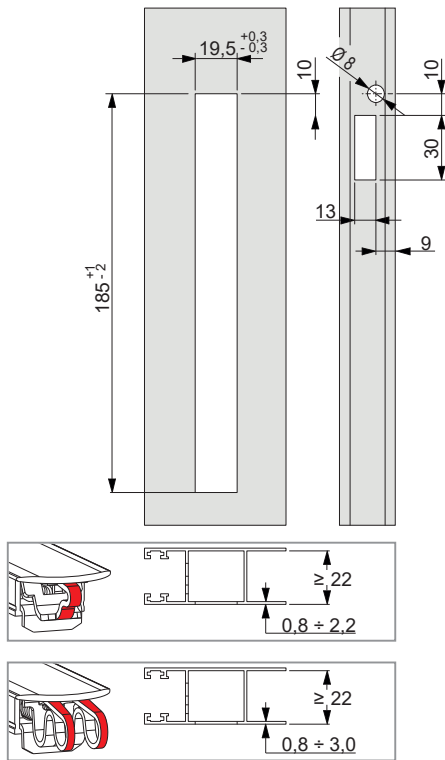


06007

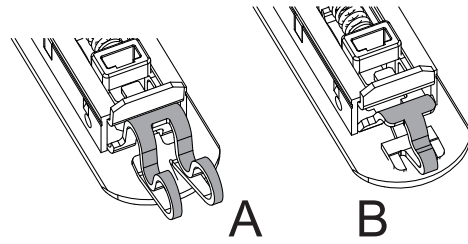


# RECESSED HANDLES

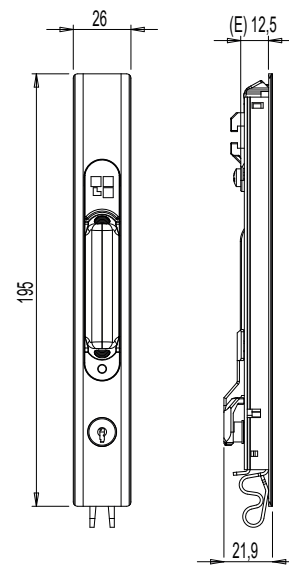
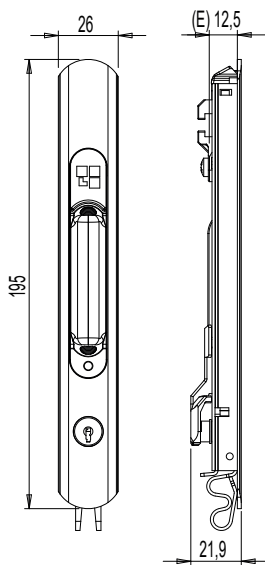
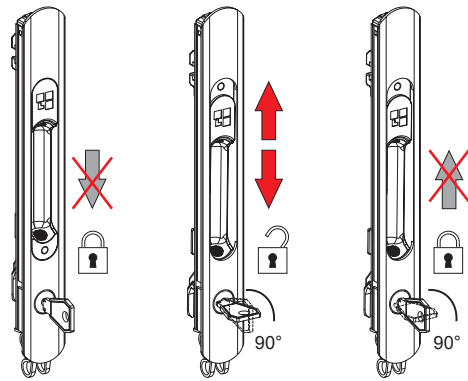
Machining on profile



A: 2-teeth spring - B: 1-tooth spring



Block on closing and opening



Item code	Description	Design	Backset E [mm]	Fixing spring	Matching handles (Inside)	Matching handles (Outside)	Base Raw	Anodised Elox	Painted	Trend/Gold Brass	Pieces per pack
0288201	BRIO EVO KEY MD HANDLE	Rounded	12,5	1-tooth (B)	03043 - 03050 - 03064	02966N	X		X		5
0289201	BRIO EVO KEY HANDLE	Rounded	12,5	2 teeth (A)	03043 - 03050 - 03064	02966N	X		X		5
06005	BRIO EVO KEY HANDLE	Square	12,5	2 teeth (A)	03043 - 03050 - 03064	02966N	X		X	X	5
06007	BRIO EVO KEY MD HANDLE	Square	12,5	1-tooth (B)	03043 - 03050 - 03064	02966N	X		X		5