



BRIO EVO XL HANDLE

Functions

Reversible recessed handle, with the possibility of manual mode operation (for door) or automatic operation (for window), to enable side locking of sliding sashes.

Online data sheet



Technical Features

The Brio Evo XL handle allows crossing and overlapping of the two sashes and it is fixed to the profile quickly and precisely by inserting the bottom part of the handle in the slot and then pressing down the top part.

After determining the optimum position of the nib (and therefore locking), it is secured with a grub screw, located under the covering cap.

A distinctive feature of Brio EVO XL is the nib carrier depth of 24.3 mm (compared to 12.5 in the standard Brio Evo version) which, in the case of particularly wide sash profiles, makes it possible to reduce the nib anchoring.

The polyamide slider has two green and red surfaces that indicate respectively sash open and sash closed.

The Brio Evo XL handle is fitted with an antilifting system to ensure that the casement can only be opened by moving the small polyamide recess handle on the interior.

The product is preset as standard for automatic operation (for window).

For manual operation (for door) the pre-assembled spring on the product must be eliminated.

BRIO XL is available in two different styles: rounded design and square design, with two-teeth fixing spring.

Materials

Body in extruded aluminium

Slider in white die-cast zinc plated Zamak

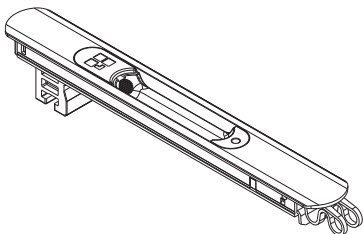
Polyamide recess handle

Stainless steel grub screw

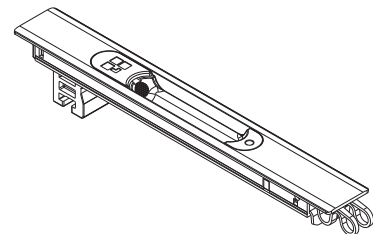
Harmonic steel spring for automatic operation

Bottom fixing spring in C70 Geomet steel

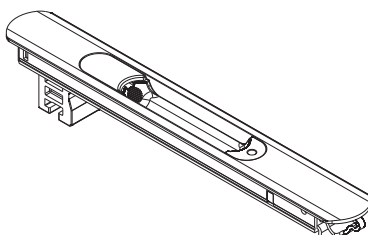
0087302



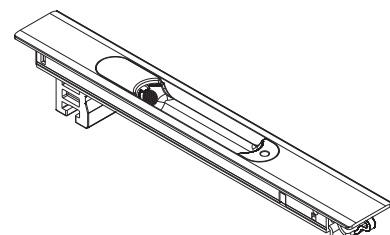
06009

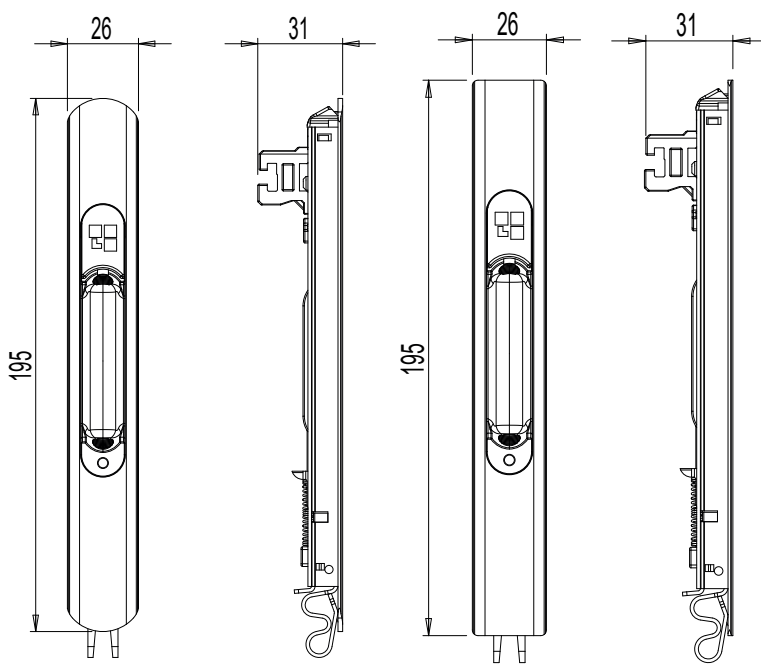


00878

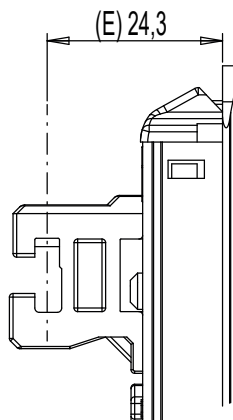
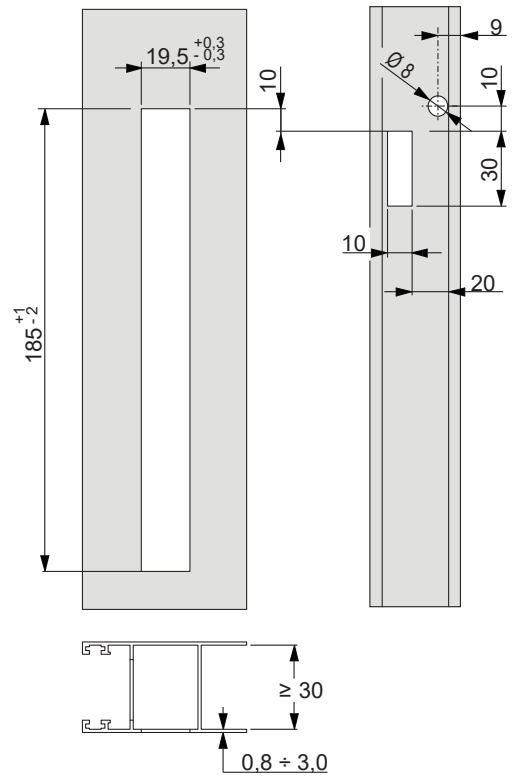


06015

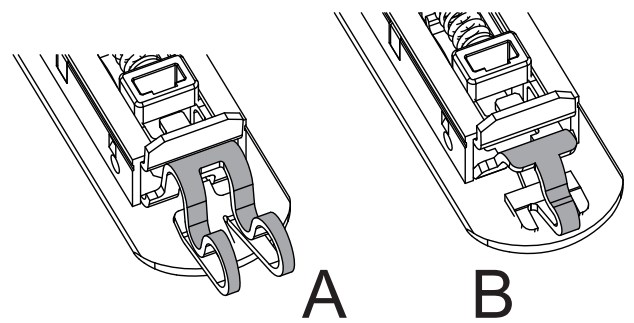




Machining on profile



A: 2-teeth spring - B: 1-tooth spring



Item code	Description	Design	Backset E [mm]	Fixing spring	Matching handles (Inside)	Matching handles (Outside)	Base Raw	Anodised Elox	Painted	Trend/Gold Brass	Pieces per pack
0087302	BRIO EVO XL	Rounded	24,3	2 teeth (A)	03043 - 03050 - 03064	02966N - 06014	X		X		20
00878	BRIO EVO XL	Rounded	24,3	1-tooth (B)	03043 - 03050 - 03064	02966N - 06014	X		X		20
06009	BRIO EVO XL	Square	24,3	2 teeth (A)	03043 - 03050 - 03064	02966N - 06014	X		X		20
06015	BRIO EVO XL	Square	24,3	1-tooth (B)	03043 - 03050 - 03064	02966N - 06014	X		X		20