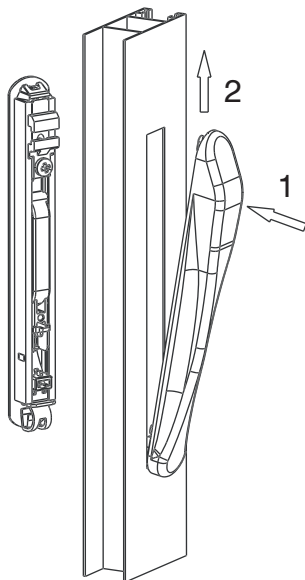
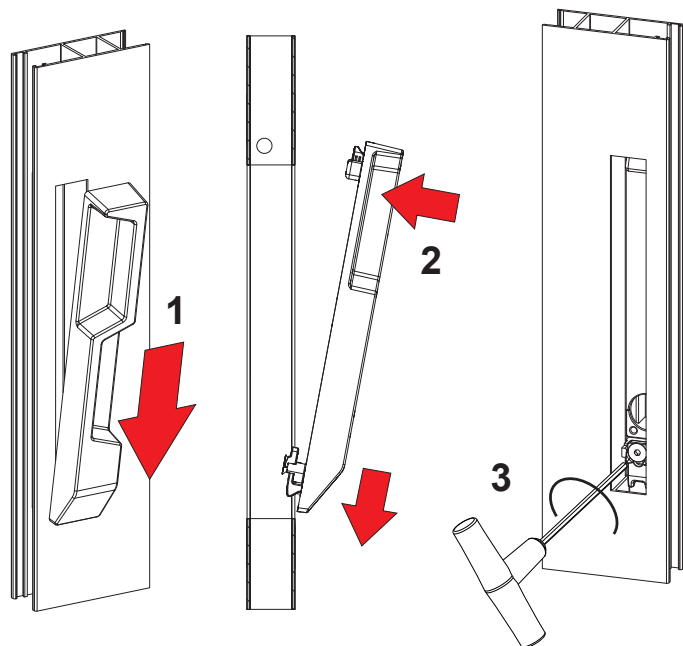


EXTERNAL PULL HANDLES

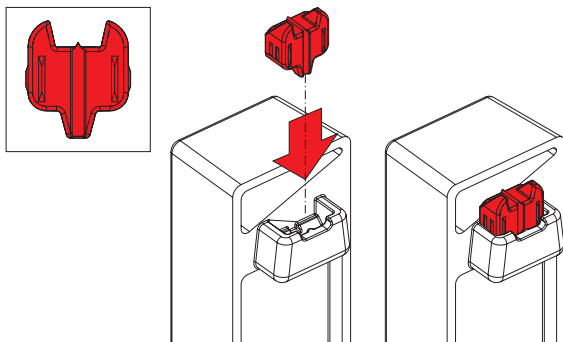
Assembly sequence art. 02966N



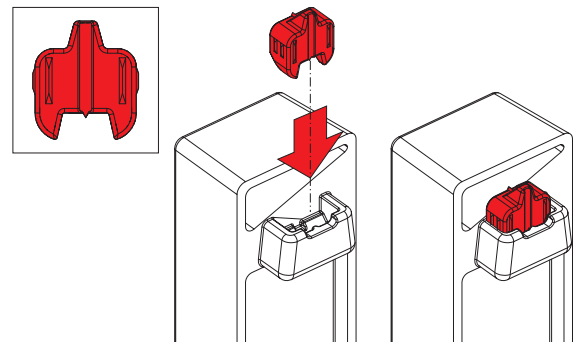
Assembly sequence art. 06014



Art. 06014: 2-teeth coupling



Art. 06014: 1-tooth coupling



Item code	Description	Design	Matching handles (Inside)	Matching handles	Base Raw	Anodised Elox	Painted	Trend/Gold Brass	Pieces per pack
02966N	BRIO EXTERNAL PULL HANDLE	Rounded	03043 - 03064	0288201 - 0289201 - 0298201 - 0299202	X		X		5
06014	SQUARE EXTERNAL HANDLE	Square	03050	06004 - 06005 - 06006 - 06008 - 06009	X		X		5