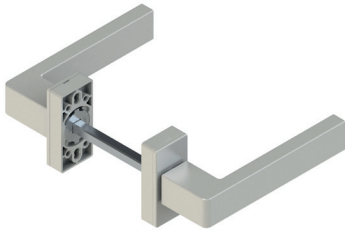


KORA DOOR HANDLES



Functions

Pair of aluminium handles, reversible with stop, for fitting on the upright or centre rail of the door.

Online data sheet



Technical Features

The KORA door handle comprises a base and a rotor which, combined with a return spring, enables reversible operation and horizontal positioning of the handle.

Instant access to the fixing screws by simply rotating the plate cover.

The double C/C distance of the drilling, 43 and 50 mm, enables the handle to be fitted on the majority of profiles available on the market. Fixing to the profile is done with the self-tapping screws $\varnothing 4.2 \times 16$ supplied with the handle.

The base has 4 holes, with c/c distance 38 mm, for using additional screws (not provided) when changing the handle.

The handle rotor is equipped with a mechanical stop that safeguards the end stroke of the spring, preventing damage and consequent breakage, in case of incorrect operation.

The 110 mm square pin supplied lets you install the handle on profiles from 78 to 82 mm wide (without cutting the pin).

The handle is protected and finished using the GIESSE painting system, which guarantees high quality surfaces, uniformity of colour and excellent resistance to abrasions.

The components are pretreated to guarantee resistance to surface scaling.

Materials

Handle in die-cast aluminium

Rotor in zinc plated zamak

Self-forming screw for fixing to the rotor made of zinc-plated steel

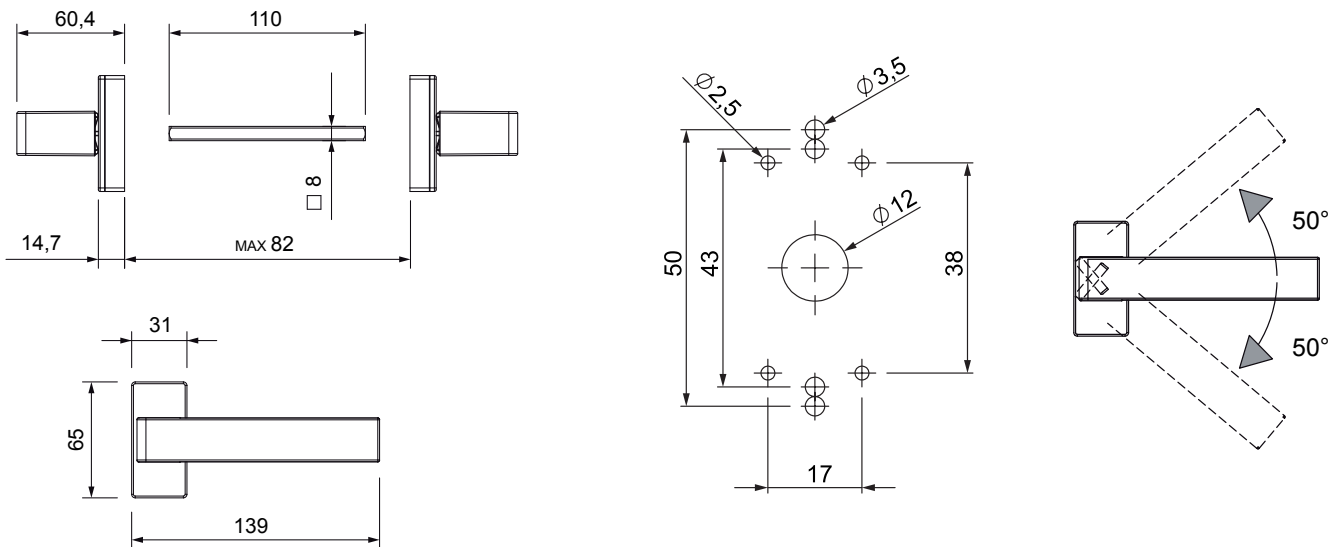
Base and cover made of painted zamak

Compression spring made of stainless steel

Steel return spring

Screws for fixing to the profile and square pin 8x8x110 in zinc plated steel

Shim washers made of acetal resin



Item code	Description	Note	Square spindle [mm]	Base Raw	Anodised Elox	Painted	Trend/Gold Brass	Pieces per pack
02563	KORA DOOR HANDLE	pair	8x8x110	X		X	X	10