



MASTERPLAST HANDLE

Functions

Pair of polyamide handles, reversible with stop, for fitting on the upright or centre rail of the door.

Online data sheet



Technical Features

The MASTERPLAST handle is composed of a pair of handles, completely pre-assembled, and an 8 mm square pin.

The pull handle is pre-assembled to the plate for fixing to the profile, to the screw cap cover and to the rotor with the spring which enables reversible operation, stopping and horizontal positioning of the handle.

The pull handle of the handle has the same styling as the EURO line cremones. The handle is applicable on profiles of from 45 to 55 mm wide without cutting the spindle.

Materials

Base, cover and handle made of polyamide (red/black)

Rotor in zinc plated zamak

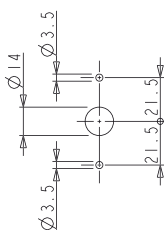
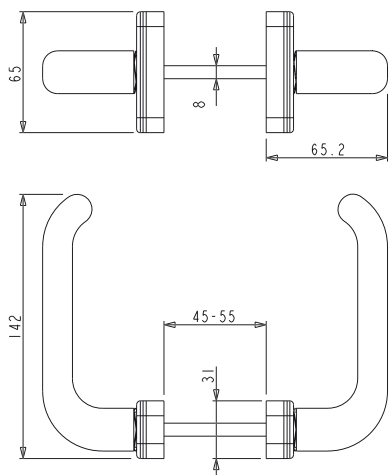
Acetal resin spring

Square pin 8x8x110 and fixing screws in zinc plated steel.

Parts

1 Square pin mm. 8x8X110

4 Self-tapping zinc plated cross-slotted screws 4.2x19



| Item code | Description | Note | Base Raw | Anodised Elox | Painted | Trend/Gold Brass | Pieces per pack |
|-----------|--------------------|-----------------|----------|---------------|---------|------------------|-----------------|
| 02456 | MASTERPLAST HANDLE | black polyamide | X | | | | 20 |