



PRATIKA HANDLE

Functions

Reversible recessed handle with automatic and manual locking for side closure and simultaneous overlap of the sashes of an aluminium sliding door or window.

Online data sheet



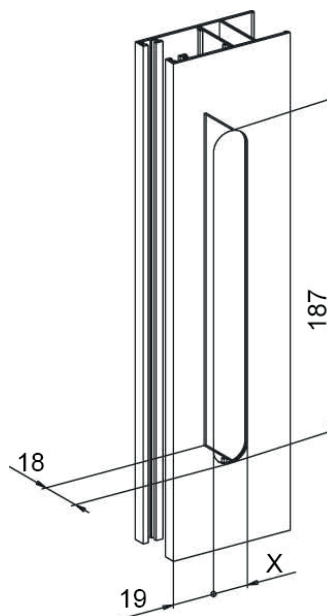
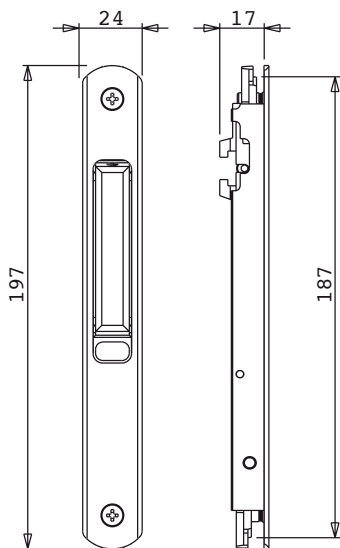
Technical Features

Locking can be manual or automatic.
Simply remove the surplus spring to select the type of operation desired.
The protrusion of the fixture kit nib can be adjusted precisely with the grub screw, which is accessible even with the handle already installed.
Once the optimal closure position has been determined, set it by tightening down the grub screw.
The slider has two coloured surfaces, green for handle open, red for handle closed.
The PRATIKA handle features simple front fixing using pre-assembled brackets.

Materials

Body in extruded aluminium
Slider, fixing plates and internal components in die-cast zamak.
Stainless steel grub screws and springs
Internal components in zinc plated Zamak

The X dimension depends on the series used



Item code	Description	Note	Base Raw	Anodised Elox	Painted	Trend/Gold Brass	Pieces per pack
03351	PRATIKA HANDLE	only painted finishes	X	X	X	X	20