



PRATIKA DUO HANDLE

Functions

Recessed PRATIKA handle with manual locking, with external security key-lock for side closure and simultaneous overlap of the sashes of an aluminium sliding window, but more specifically for use on doors.

Online data sheet



Technical Features

From inside, the sash's lock can be engaged or left unengaged with the slider. Externally, the recess functions solely to provide a better grip for moving the sash.

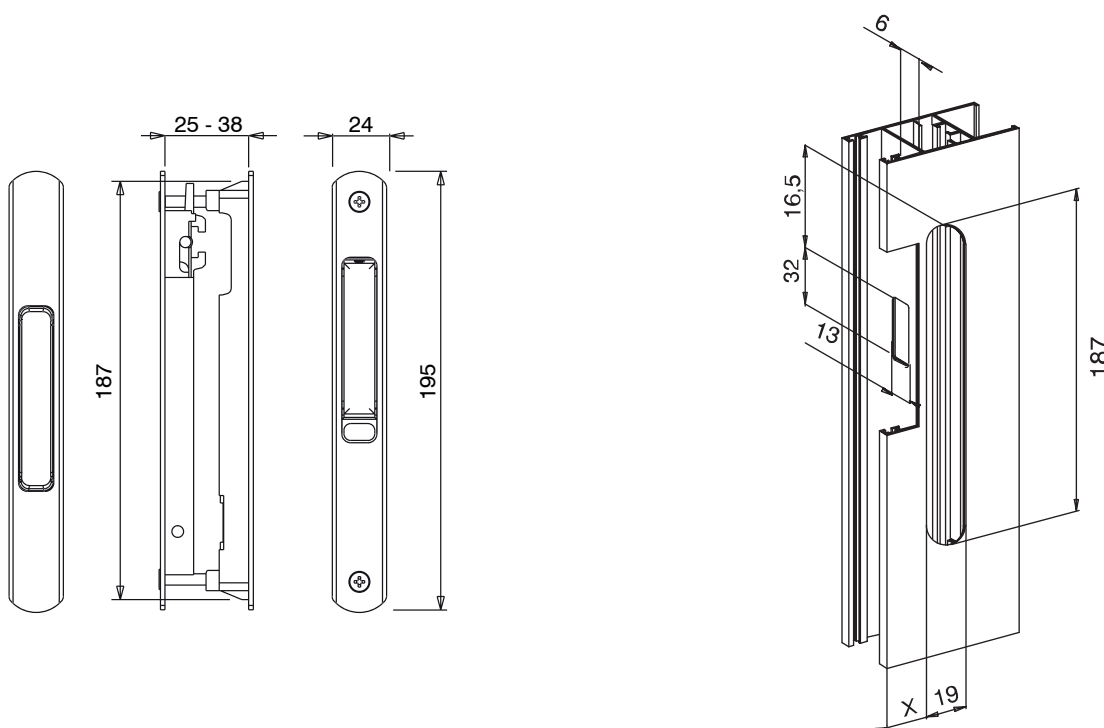
The two housings are connected and secured with the supplied screws to ensure solid installation to the profile section.

Materials

Body in extruded aluminium. Slider, fixing plate and internal components in die-cast zamak.

Stainless steel grub screws and spring.

The X dimension depends on the series used



Item code	Description	Note	Base Raw	Anodised Elox	Painted	Trend/Gold Brass	Pieces per pack
03353	PRATIKA DUO HANDLE	only painted finishes	X	X	X	X	10