

RECESSED HANDLES

PRATIKA DUO KEY HANDLE



Functions

Recessed PRATIKA handle with manual locking, with external security key-lock for side closure and simultaneous overlap of the sashes of an aluminium sliding window, but more specifically for use on doors.

Online data sheet



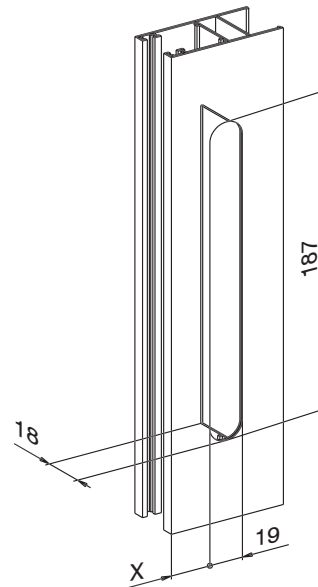
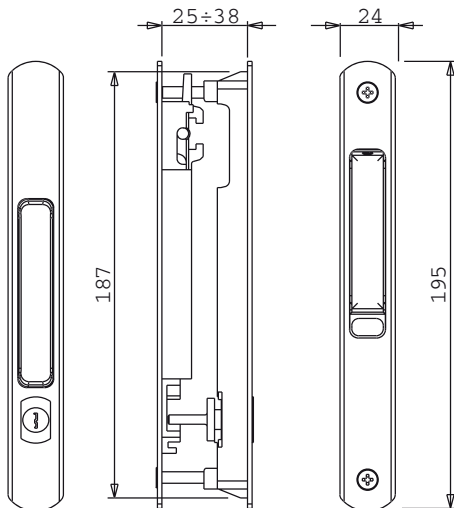
Technical Features

The handle's slider can be operated externally with a key to open or close the sash.
 From inside, the sash's lock can be engaged or left unengaged with the slider.
 The two housings are connected and secured with the supplied screws to ensure solid installation to the profile section.
 The lock allows an excellent number of combinations and the possibility of having systems with the same key (KA) or master key (MK).

Materials

Body in extruded aluminium.
 Slider, fixing plates and internal components in die-cast zamak.
 Stainless steel grub screws and spring.

The X dimension depends on the series used



Item code	Description	Note	Base Raw	Anodised Elox	Painted	Trend/Gold Brass	Pieces per pack
03352	PRATIKA DUO HANDLE + LOCK	only painted finishes	X	X	X	X	10