

## BRIO EVO RECESSED HANDLES

### Functions

The external Brio pull handle, combined with a Brio EVO and Brio Evo MD recessed handle, enables the end user to move the sash of a sliding door easily and effortlessly.

Online data sheet



### Technical Features

The Brio external flush-mounted pull handle allows easy handling of a sliding door from the exterior side.

The use of this product enables the overlap of the main and secondary sash. It should always be combined with a Brio EVO and Brio EVO MD recessed handle.

Sash profile width: min. 25 mm, max with no limits.

Fitting is quick, accurate and easy.

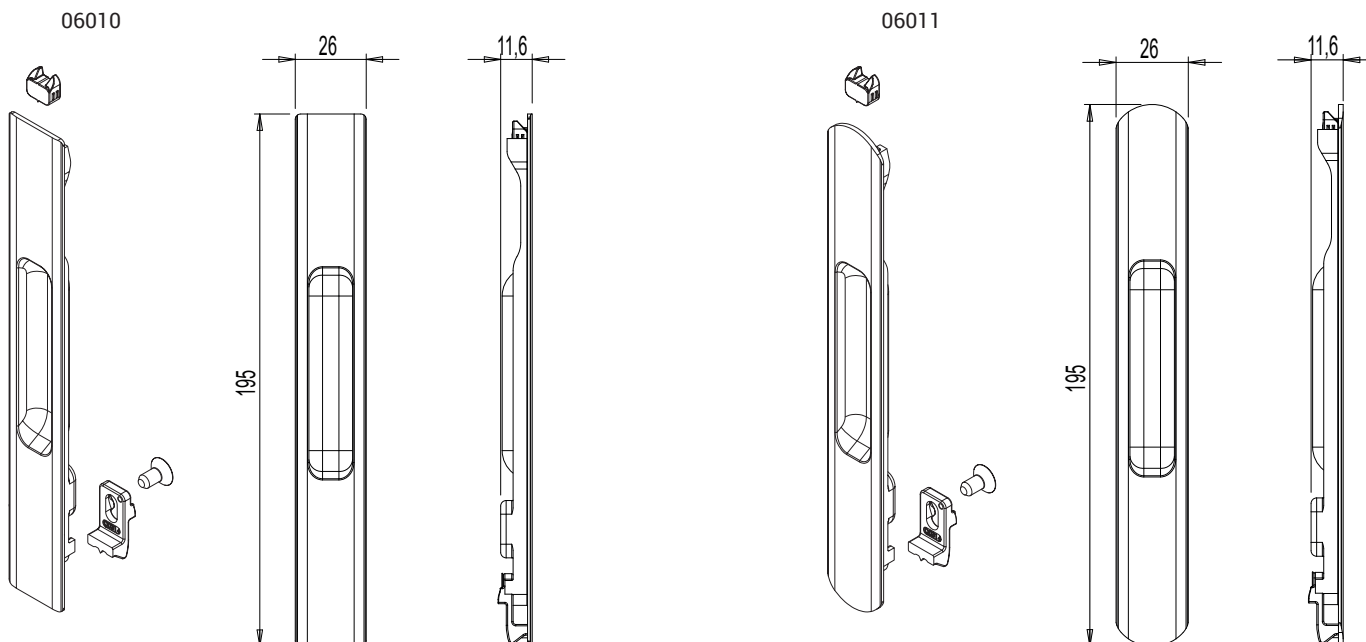
Two slots must be made (187x19.5mm) in perfect alignment and of the same size on the sash stile.

### Materials

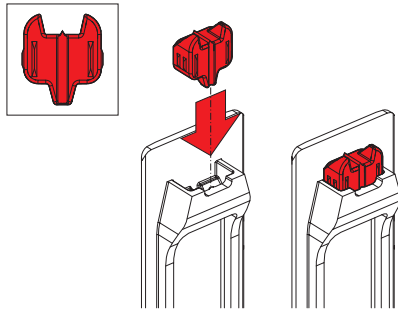
Body in die-cast zamak

Upper and lower fork in white zinc plated zamak

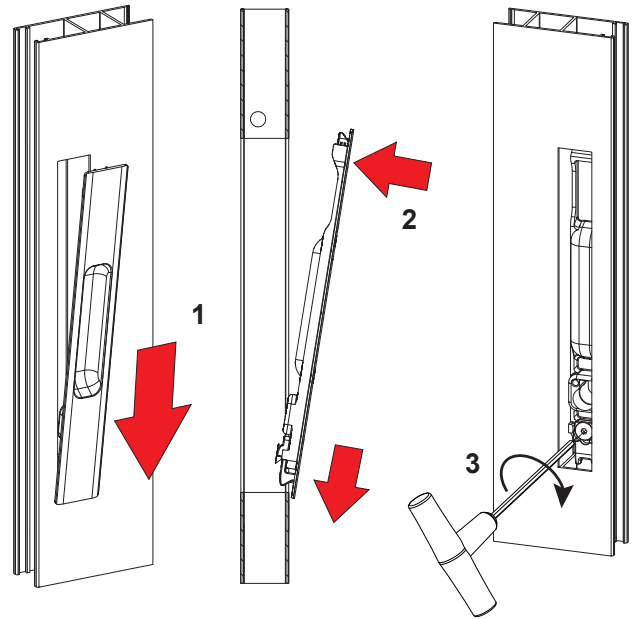
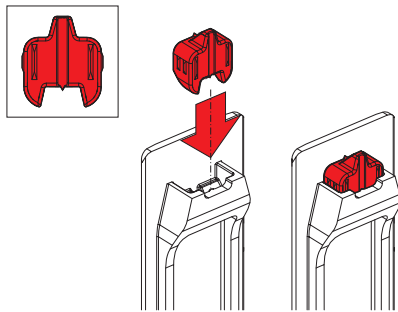
Lower fixing HSCH screw M5x8 in stainless steel



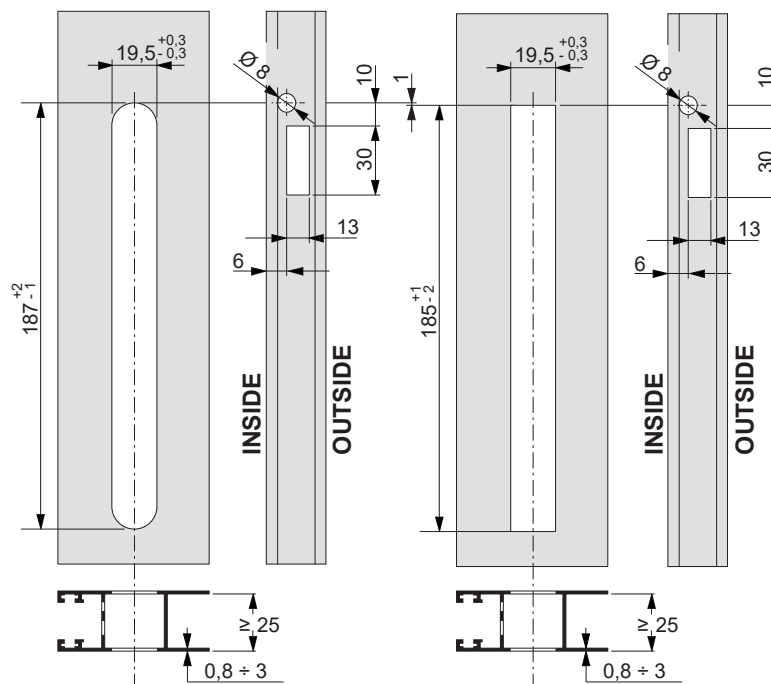
2-teeth coupling



1-tooth coupling



Machining on profile



Item code	Description	Design	Matching handles (Inside)	Matching handles	Base Raw	Anodised Elox	Painted	Trend/Gold Brass	Pieces per pack
06010	SQUARE EXTERNAL RECESS PULL HANDLE	Square	03050	06004 - 06008 - 06009 - 06006 - 06005	X		X		5
06011	ROUNDED EXTERNAL RECESS PULL HANDLE	Rounded	03064 - 03034	0299202 - 0298201 - 0289401 - 0298201 - 0087302	X		X		5