

# FRONT APPLICATION HANDLES

## BUTTERFLY HANDLE



### Functions

External carry handle, with snap coupling, to be fitted laterally on aluminium sliding doors.

Online data sheet

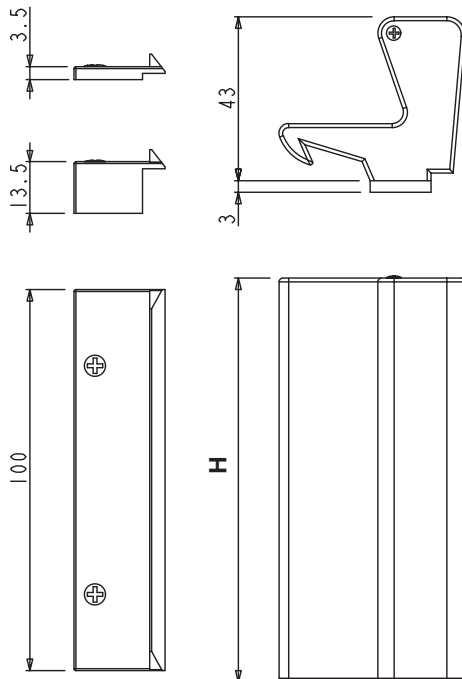


### Technical Features

The handle is disengaged and the sash opened by simply pressing on the side. Available with closing Block H of 106 and 181 mm (by turning the special device) or without block H = 106 mm.

### Materials

Handle body made of extruded aluminium  
Casing, striker and shim in black polyamide  
Spring in zinc plated steel



Item code	Description	Closing block	Handle height H	Base Raw	Anodised Elox	Painted	Trend/Gold Brass	Pieces per pack
03172	BUTTERFLY HANDLE	NO	106	X	X	X		20
03177	BUTTERFLY HANDLE	YES	181	X	X	X		20