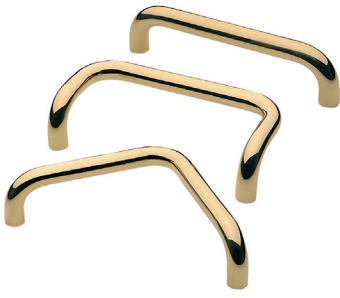


## BRASS HANDLES



### Functions

Straight tubular brass handle to be applied on aluminium doors.

Online data sheet



### Technical Features

Thick brass tubular handle with a thick transparent electrostatic coating, fired at 150°.

The handle is fixed with the special connections art. 02668 – 02669 – 02670 depending on the machining on the door or the number of handles to be fitted (single or pair).

Fixing to the connections is done with pins for external applications or grub screws for internal applications.

The handle can be mounted subsequently on site simply by inserting two pins, thus avoiding any damage during transportation or when installing the door.

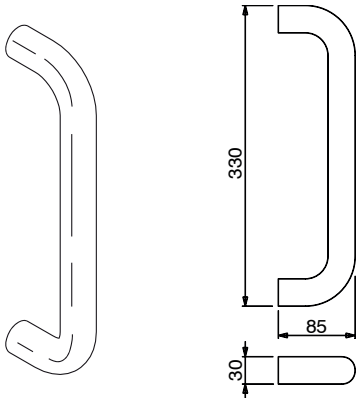
Supplied with the handle there are two fixing grub screws.

### Materials

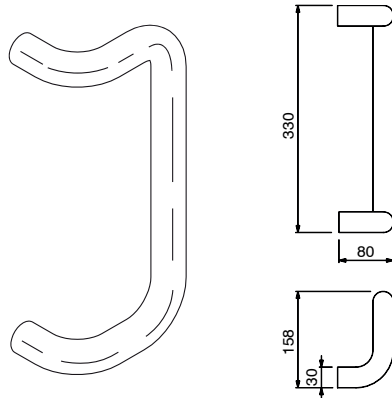
Brass handle

Zinc plated steel grub screws

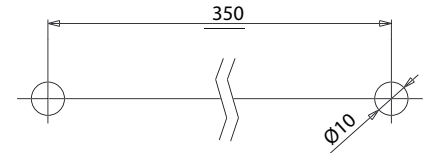
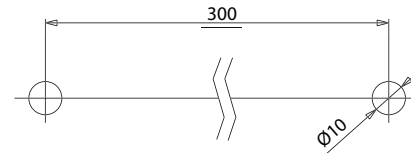
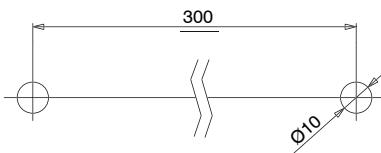
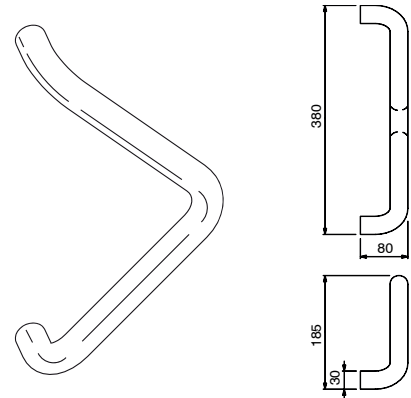
Straight brass handle



Double curved brass handle



Brass elbow handle



Item code	Description	C/C distance for drilling [mm]	Base Raw	Anodised Elox	Painted	Trend/Gold Brass	Pieces per pack
02609	BIKE STRAIGHT brass HANDLE	300			X	X	2
02610	BIKE DOUBLE CURVED brass HANDLE	300			X	X	2
02611	BIKE brass ELBOW HANDLE	350			X	X	2