



ASIA WINDOW HANDLE

Functions

Reversible window handle for operating the GIESSE Sash and Tilt-and-Turn Window closing systems via the M90 and M180 mechanisms.

Online data sheet



Technical Features

The handle is made of die-cast aluminium and blends in seamlessly with the Asia cremone line.

The handle is equipped with a positioner to stop rotation at 90° and 180° and has a square pin, 7 mm cross section, for the transmission of the movement.

Materials

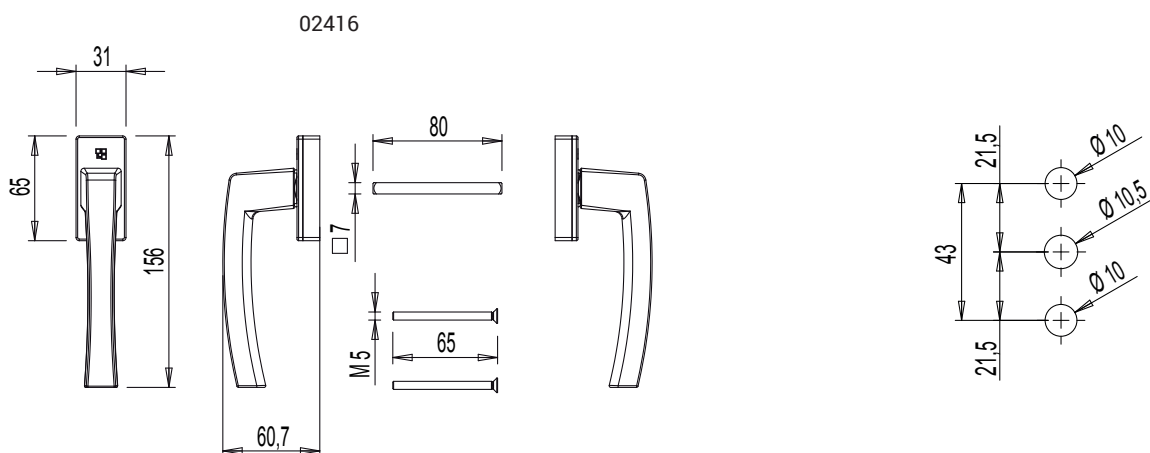
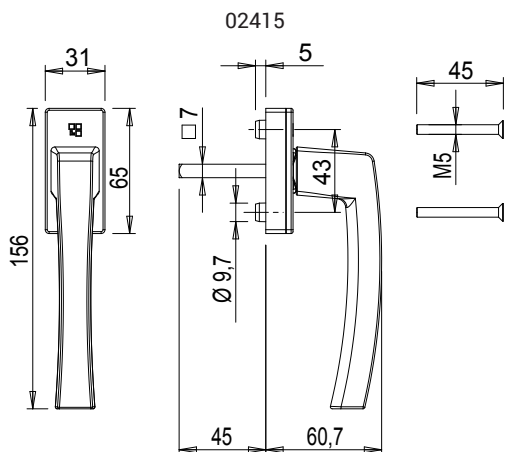
Handle in die-cast aluminium

Rotor in zinc plated zamak

Aluminium cover

Sub-rosette in plastic resin

Square spindle and screws in zinc plated steel



Item code	Description	Version	Square spindle L (mm)	Case anti-rotation turrets	PROFILE CROSS - SECTION	Pull handle 0°	Pull handle 90°	Pull handle 180°	Base Raw	Anodised Elox	Painted	Trend/Gold Brass	Pieces per pack
02415	ASIA WINDOW HANDLE	Single	45	Yes	C001-C002-C003-C004-C005-C006-C007-C009-C010-C011-C012-C013-C014-C015-C016-C017-P001-P002-P003-P004-P005-P006-P007-P008-P009-P010	closed	open	bot-tom-hung windows	X		X		10
02416	ASIA WINDOW HANDLE	Double	26-46	No	-	closed	open	-	X		X		5