

ASIA WINDOW HANDLE GS3000-300

Functions

Window handles for GS3000-300 lift and slide system.

Online data sheet



Technical features

Long window handles for lift and slide window with ASIA style to construct sashes up to 400 kg.
 10 mm square pin.
 80 mm fixing C/C distance.
 Available in single version with and without key and in double version with key.
 Compatible with driving rod with 27.5 and 37.5 mm backset.
 Can be combined with recess handles with 80 mm C/C distance.

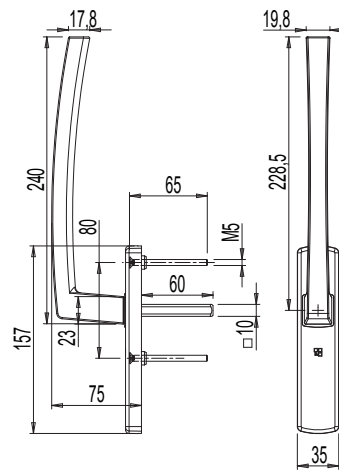
Materials

Aluminium handle and cover
 Zamak case
 Rotor made of zinc-plated steel
 Trim ring made of acetal resin
 Square pin in zinc plated steel
 Fixing screws, zinc-coated steel

ASIA window handle L240 -I80



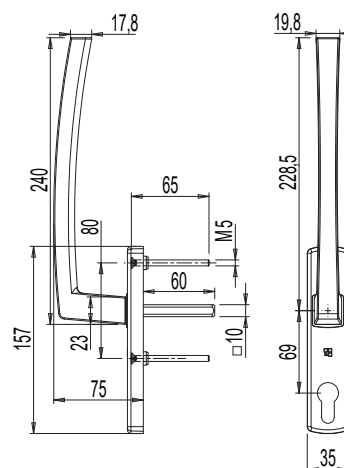
ASIA window handle dimensions L240 -I80



ASIA window handle L240 KEY-I80



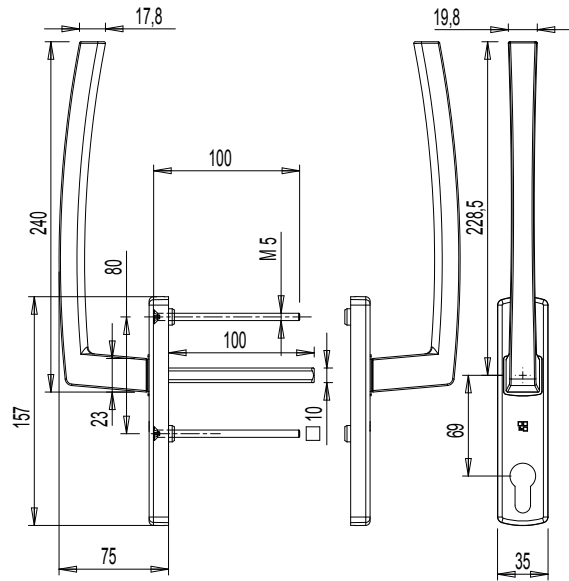
ASIA window handle dimensions L240 KEY -I80



ASIA window handle L240 CP -I80



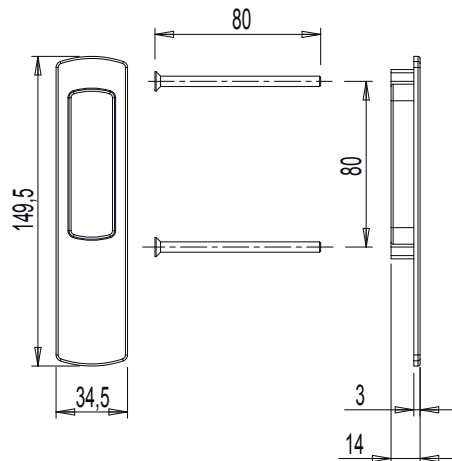
ASIA window handle dimensions L240 CP -I80



Recess handle



Recess handle dimensions



Item code	Description	C/C distance (l)	Handle length (L)	Compatible with drive gear	Base Raw	Anodised Elox	Painted	Trend/Gold Brass	Pieces per pack
0244601	ASIA WINDOW HANDLE L240-I80 GS3000	80 mm	240 mm	E = 27.5mm/E = 37.5mm	X	X	X	X	1
0244701	ASIA WINDOW HANDLE L240 KEY-I80 GS3000	80 mm	240 mm	E = 27.5mm/E = 37.5mm	X	X	X	X	1
0244801	ASIA WINDOW HANDLE L240-I80 GS3000 (PAIR)	80 mm	240 mm	E = 27.5mm/E = 37.5mm	X	X	X	X	1
0799501	RECESS HANDLE	80 mm	-	E = 27.5mm/E = 37.5mm	X		X	X	5