



BAS WINDOW HANDLE

Functions

The Bas window handle is ideal for operating mechanisms with rotors designed to be actuated by a 7 mm square pin, such as the Champion Plus multilock or the M90 or M180 internal mechanisms.

Online data sheet

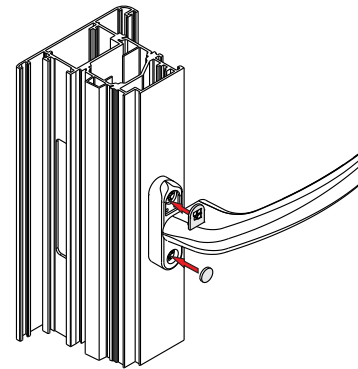
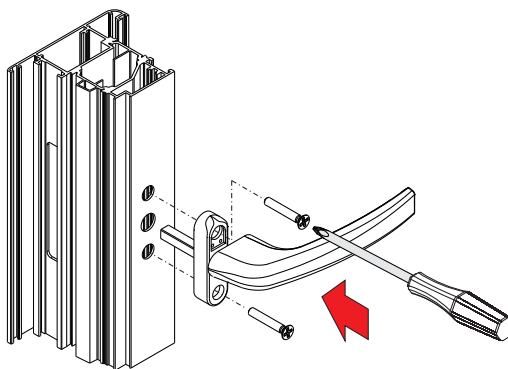
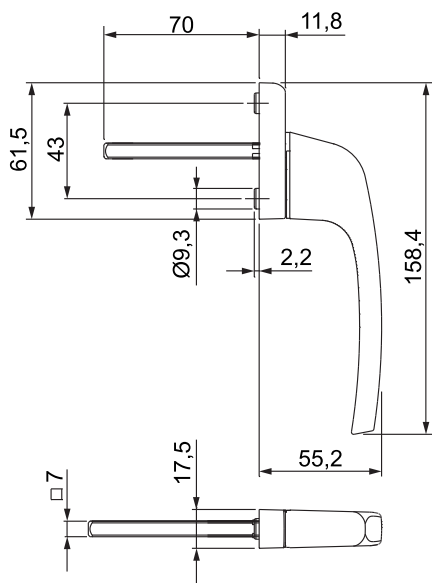


Technical Features

The Bas window handle is naturally applied on outward opening casements that require a particularly short width of the plate of the window handle. As a matter of fact, on this product the plate is just 17.5 mm. The square pin with a length of 70 mm enables fitting the product on outward opening casements where the mechanism is far away from the window handle (on the inside). The c/c distance for fixing the product to the hardware is 43 mm, used on most hardware with a rotor for 7 mm square pins.

Materials

Handle of aluminium, plate of zamak
 Trip spring of spring steel
 Retaining washer and square pin of zinc plated steel
 Polyamide caps



Item code	Description	PROFILE CROSS - SECTION	Note	Base Raw	Anodised Elox	Painted	Trend/Gold Brass	Pieces per pack
02491	BAS WINDOW HANDLE	C001-C016-P002				X		5