



GAIA WINDOW HANDLE

Functions

Reversible window handle for operating GIESSE Side-hung, Tilt-and-Turn, and Tilt-and-Turn with Micro-ventilation fastening mechanisms, via M90 and M180 mechanisms.

Online data sheet

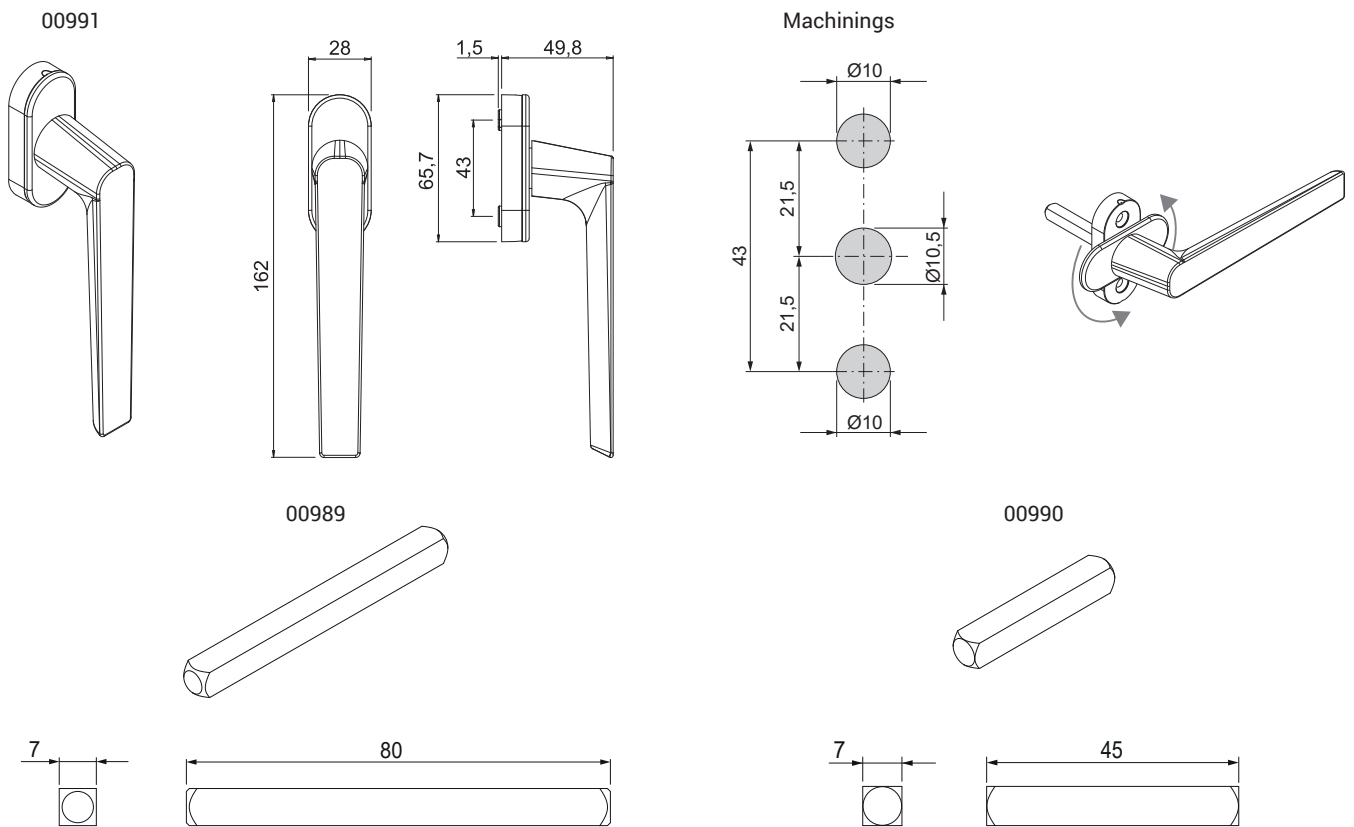


Technical Features

The Gaia window handle is supplied without the pin and fixing screws, which must be ordered separately depending on the size of the profile (see table). It is equipped with a positioner for stopping the 90° and 180° rotation.

Materials

Handle and case in aluminium



Item code	Description	Version	Case anti-rotation turrets	Base Raw	Anodised Elox	Painted	Trend/Gold Brass	Pieces per pack
00991	GAIA WINDOW HANDLE	Single	Yes			X		40

Item code	Description	Square spindle L (mm)	Base Raw	Anodised Elox	Painted	Trend/Gold Brass	Pieces per pack
00989	WINDOW HANDLE SQUARE PIN	80	X				300
00990	WINDOW HANDLE SQUARE PIN	45	X				500