



## GAIA OFFSET WINDOW HANDLE

### Functions

Right-hand or left-hand window handle for the use of GIESSE Sash, Tilt-and-Turn, Sliding and Top-Hung internal movement fastening mechanisms.

Online data sheet



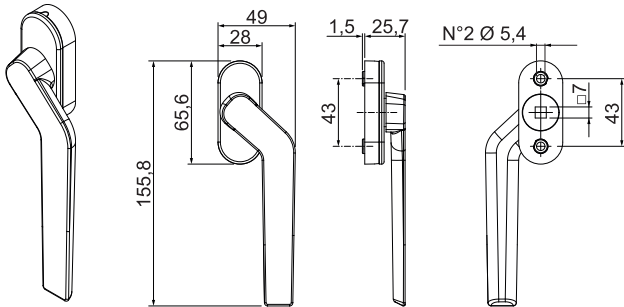
### Technical Features

The Gaia window handle is supplied without the pin and fixing screws, which must be ordered separately depending on the size of the profile (see table). It is equipped with a positioner for stopping the 90° and 180° rotation.

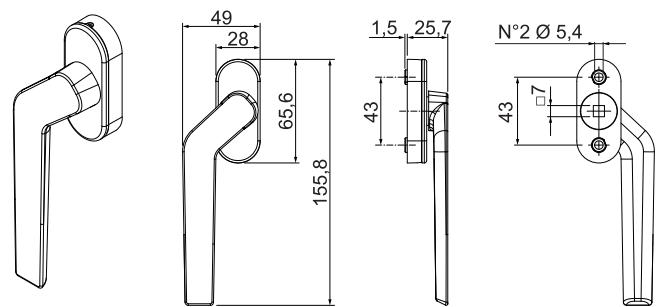
### Materials

Handle and case in aluminium

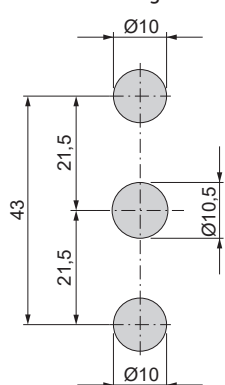
009881



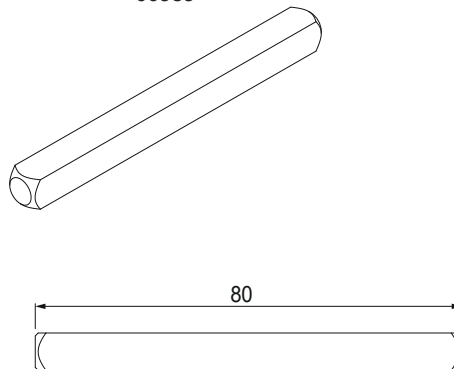
009882



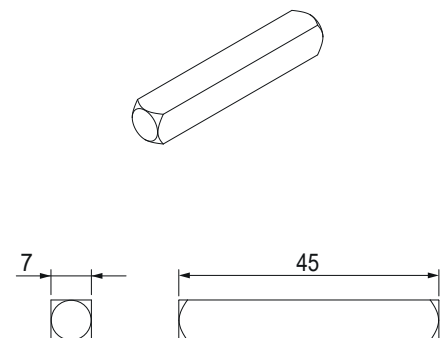
### Machinings



00989



00990



Item code	Description	Version	Case anti-rotation turrets	Base Raw	Anodised Elox	Painted	Trend/Gold Brass	Pieces per pack
009881	GAIA OFFSET WINDOW HANDLE	Right	Yes			X		40
009882	GAIA OFFSET WINDOW HANDLE	Left	Yes			X		40

Item code	Description	Square spindle L (mm)	Base Raw	Anodised Elox	Painted	Trend/Gold Brass	Pieces per pack
00989	WINDOW HANDLE SQUARE PIN	80	X				300
00990	WINDOW HANDLE SQUARE PIN	45	X				500