



KORA WINDOW HANDLE

Functions

Window handle for manually operated GS1000 tilt-and-slide system.

Online data sheet



Technical features

Long window handle for manually operated tilt-and-slide system, ML and HL version.

10/7 mm square pin.

Fixing C/C distance 43 mm.

Operation with notches at 0°-90°-180°.

Can be combined with the tilt-and-slide mechanisms.

Materials

Aluminium handle and cover

Zamak case

Rotor made of zinc-plated steel

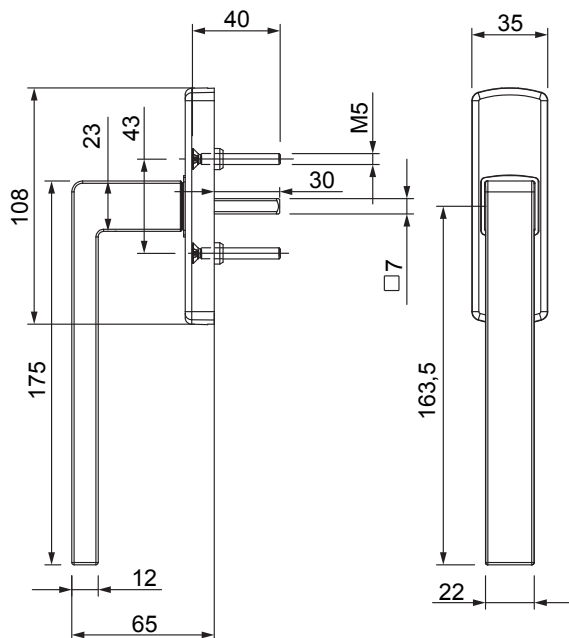
Trim ring made of acetal resin

Square pin 10/7 mm made of zinc-plated steel

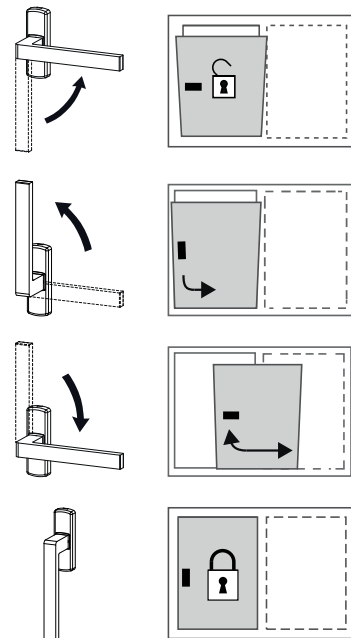
Self-forming screw for fixing to the rotor made of zinc-plated steel

Fixing screws, zinc-coated steel

Overall dimensions



Operating scheme



Item code	Description	C/C distance (I)	Handle length (L)	Compatible with mechanisms	GS1000-ML	GS1000-HL	GS1000-HD100	GS1000-HD160	GS1000-HD200	Base Raw	Anodised Elox	Painted	Trend/Gold Brass	Pieces per pack
0246601	WINDOW HANDLE KORA L175 GS1000	43 mm	175 mm	09751-09752-01062	X	X	-	-	-	X	X	X	X	5



KORA WINDOW HANDLE

Functions

Window handle for manually operated GS1000 tilt-and-slide system.

Online data sheet



Technical features

Long window handle for manually operated tilt-and-slide system, ML and HL version.

10/7 mm square pin.

Fixing C/C distance 43 mm.

Operation with notches at 0°-90°-180°.

Can be combined with the tilt-and-slide mechanisms.

Materials

Aluminium handle and cover

Zamak case

Rotor made of zinc-plated steel

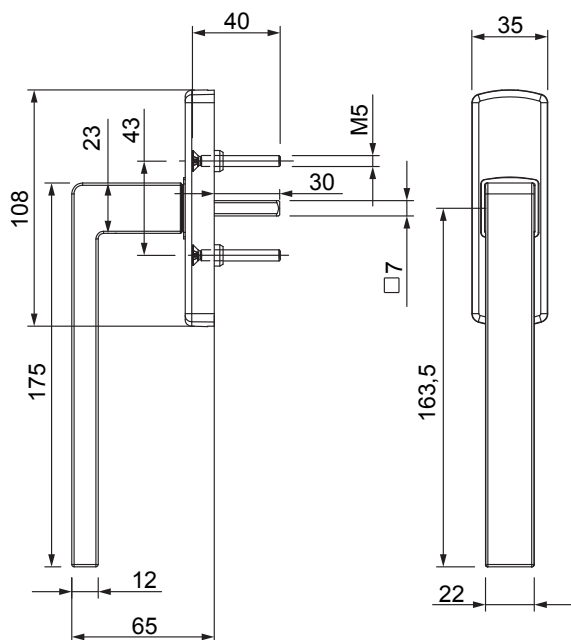
Trim ring made of acetal resin

Square pin 10/7 mm made of zinc-plated steel

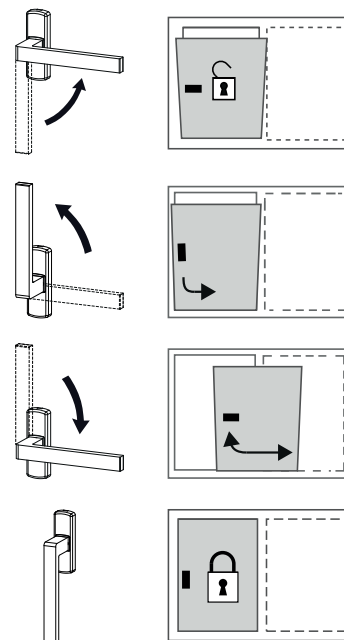
Self-forming screw for fixing to the rotor made of zinc-plated steel

Fixing screws, zinc-coated steel

Overall dimensions



Operating scheme



Item code	Description	C/C distance (l)	Handle length (L)	Compatible with mechanisms	GS1000-ML	GS1000-HL	GS1000-HD100	GS1000-HD160	GS1000-HD200	Base Raw	Anodised Elox	Painted	Trend/Gold Brass	Pieces per pack
0246601	WINDOW HANDLE KORA L175 GS1000	43 mm	175 mm	09751-09752-01062	X	X	-	-	-	X	X	X	X	5