

PRIMA PLUS WINDOW HANDLE



Functions

Reversible window handle for operating the GIESSE Sash and Tilt-and-Turn Window closing systems via the M90 and M180 mechanisms.

[Online data sheet](#)



Technical Features

The handle is made of die-cast aluminium and blends in seamlessly with the Prima cremone line.

It is equipped with a positioner for stopping the rotation at 90° and 180° and has a square pin, for the transmission of the movement, with a cross section of 7 mm and a length of 45 mm.

Available in both single and double versions.

Materials

Handle in die-cast aluminium

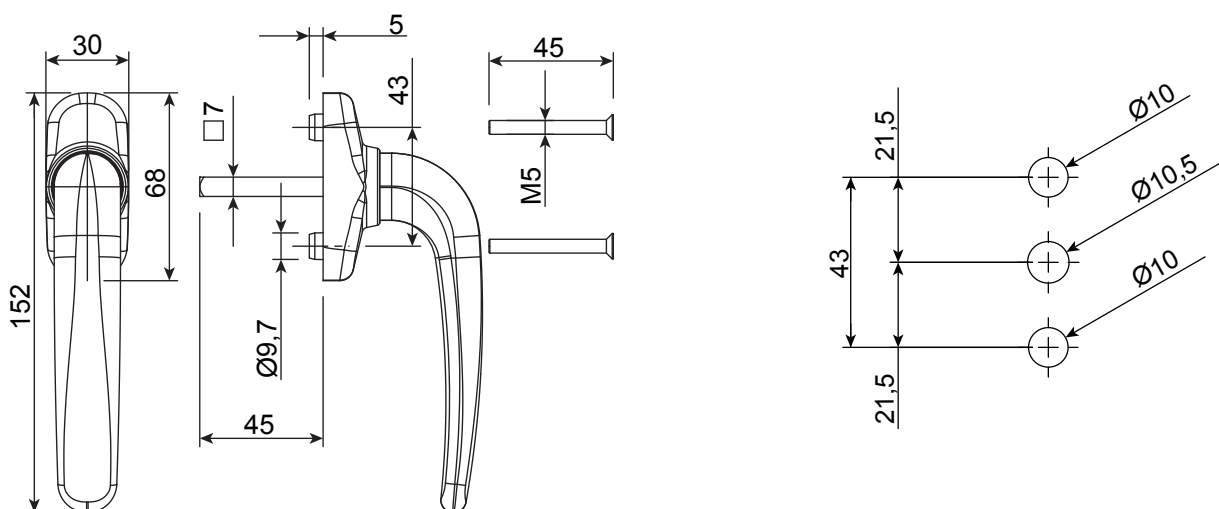
Rotor in zinc plated zamak

Die-cast aluminium cover

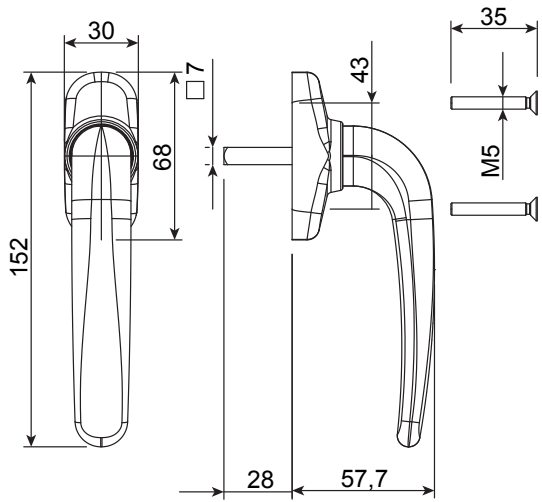
Sub-rosette in plastic resin

Square spindle and screws in zinc plated steel

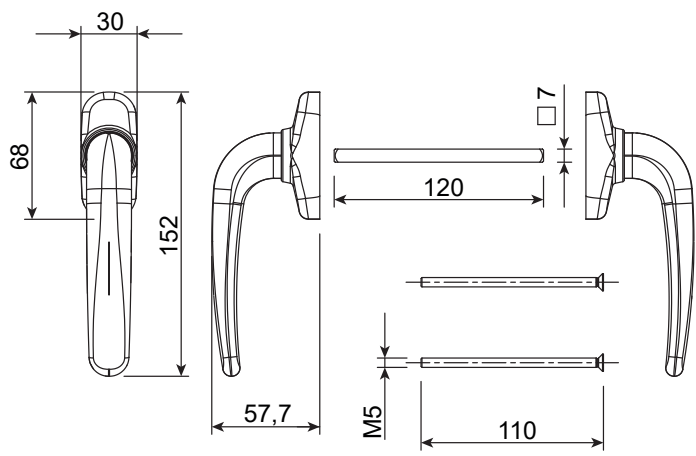
Art. 02476



Art. 02762



Art. 02763



Item code	Description	Version	Square spindle L (mm)	Case anti-rotation turrets	PROFILE CROSS - SECTION	Pull handle 0°	Pull handle 90°	Pull handle 180°	Base Raw	Anodised Elox	Painted	Trend/Gold Brass	Pieces per pack
02476	PRIMA PLUS WINDOW HANDLE	Single	45	Yes	C001	closed	open	bot-tom-hung windows	X		X	X	10
02762	PRIMA PLUS WINDOW HANDLE	Single	27	No	C001-C002-C003-C004-C005-C006-C007-C009-C010-C011-C012-C013-C014-C015-C016-C017-P001-P002-P003-P004-P005-P006-P007-P008-P009-P010	closed	open	bot-tom-hung windows	X		X	X	5
02763	PRIMA PLUS WINDOW HANDLE	Double	26-46	No	-	closed	open	-	X		X	X	5