

## CHIC 3D 130 FASTENING MECHANISMS ERRE

### Functions

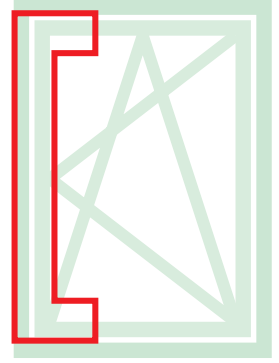
Tilt-and-turn window fastening mechanisms for Cremona, window handle and SUPRA 7 window handle, available in Base and Logica versions.

### Materials

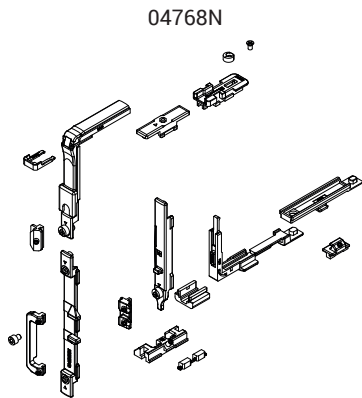
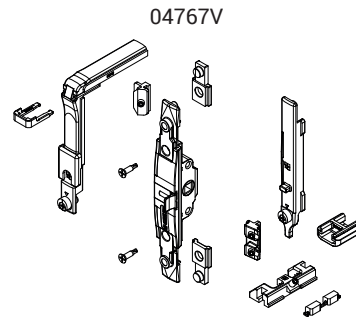
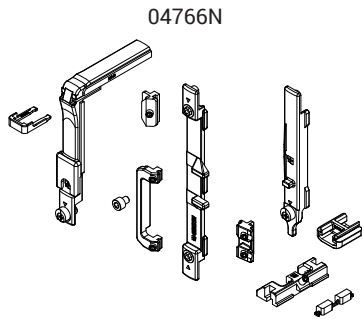
Drive, drive rod, mechanism bolt tip and strikers in zamak with GS Silver Plus finish (up to 500 h of corrosion resistance).

Screws and grub screws in stainless steel.

Polyamide raiser.



[Online data sheet](#)



Item code	Description	PROFILE CROSS - SECTION	Mechanism	Version	Base Raw	Anodised Elox	Painted	Trend/Gold Brass	Pieces per pack
04766N	T/T FASTENING MECHANISM	C007	Cremona	-	X				10
04767V	T/T M 180 FASTENING MECHANISM	C007	Window handle	-	X				10
04768N	T/T LOGICA FASTENING MECHANISM	C007	Cremona	Logica	X				10